

Blanca

BLCDD BLCDD

Blanca-DD, bulkhead for LED DD lamps, IP65

- Choice of clip-on rings
- Use with Kosnic LED DD range
- IP65 and vandal resistant (IK10)
- Option of base with emergency module
- 20mm Conduit entry
- BESA box fitting points
- Optional plug-in DALI conversion module



Overview

The Blanca IP65 LED bulkhead for LED DD lamps offers a low maintenance and robust solution to lighting in corridors, staircases and security zones. The standard bulkhead can be used as a utility style bulkhead without a trim or can be enhanced with one of the decorative trims to give a higher aesthetic appeal where required.



General Information

Materials	Housing polycarbonate
Installation Area	Internal and External

Technical Summary

Product Code	BLCDD
BESA Entry	True
Conduit Entry 20mm	TRUE

Tel: 01635 523 713

Email: sales@kosnic.com

Kosnic.com



Kosnic Lighting KosnicUK KosnicLightingUK

Blanca

BLCDDBLCDD

Optional Gear

Product Code	Description	Type
EMDD02/ST	2W self-test emergency module for LED DD and bulkhead	Self-test Emergency Module
EMDD02	2W standard emergency module for LED DD and bulkhead	Emergency Module

Accessories

Product Code	Description	Type
BLCT-WHT	Blanca, LED Bulkhead Trim, White	Trim
BLCT-BLK	Blanca bulkhead trim, black	Trim
BLCT-PBL	Blanca bulkhead trim, polished black	Trim
BLCLID-WHT	Blanca Bulkhead Trim, White Eyelid	Trim
BLCLID-BLK	Blanca bulkhead Trim, Black eyelid	Trim
KPT-SCREWDRIVER1	Anti-vandal Screw Driver	Tool
KPT-SCREW1	Anti-vandal Screw Pack	Screw
BLCT-BAS	Blanca bulkhead trim, brass	Trim
BLCT-SCH	Blanca-I, LED Bulkhead Trim, Satin Chrome	Trim
BLCT-CHM	Blanca bulkhead trim, chrome	Trim

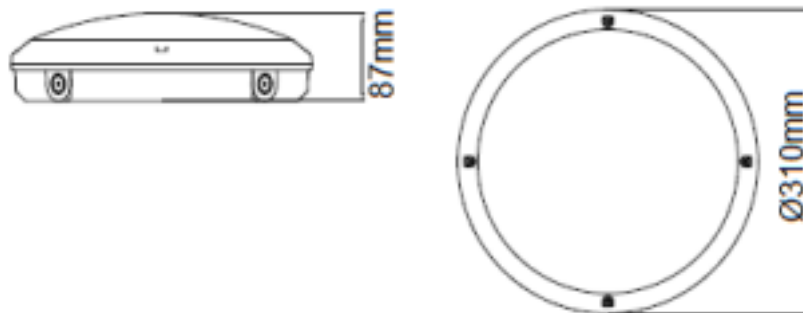
Overview

The Blanca IP65 LED bulkhead for LED DD lamps offers a low maintenance and robust solution to lighting in corridors, staircases and security zones. The standard bulkhead can be used as a utility style bulkhead without a trim or can be enhanced with one of the decorative trims to give a higher aesthetic appeal where required.



General Information

Materials	Housing polycarbonate
Installation Area	Internal and External



Tel: 01635 523 713

Email: sales@kosnic.com

Kosnic.com

