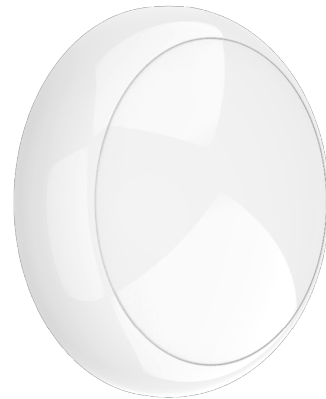


Blanca

BLCDD-WHT BLCDD-WHT

Blanca-DD, bulkhead for LED DD lamps, IP65, white trim

- Choice of clip-on rings
- Use with Kosnic LED DD range
- IP65 and vandal resistant (IK10)
- Option of base with emergency module
- 20mm Conduit entry
- BESA box fitting points



Overview

The Blanca IP65 LED bulkhead for LED DD lamps offers a low maintenance and robust solution to lighting in corridors, staircases and security zones. The standard bulkhead can be used as a utility style bulkhead without a trim or can be enhanced with one of the decorative trims to give a higher aesthetic appeal where required.



General Information

Materials	Housing polycarbonate
Installation Area	Internal and External

Technical Summary

Product Code	BLCDD-WHT
BESA Entry	True
Conduit Entry 20mm	TRUE

Tel: 01635 523 713

Email: sales@kosnic.com

Kosnic.com



Blanca

BLCDD-BLCDD-WHT

Optional Gear

Product Code	Description	Type
EMDD02/ST	2W self-test emergency module for LED DD and bulkhead	Self-test Emergency Module
KBAT2000LFP1	LPF battery standard DD EME, NEKA, Trent OnSite 2ft	Battery
EMDD02	2W standard emergency module for LED DD and bulkhead	Emergency Module

Accessories

Product Code	Description	Type
BLCT-WHT	Blanca, LED Bulkhead Trim, White	Trim
BLCT-BLK	Blanca bulkhead trim, black	Trim
BLCT-PBL	Blanca bulkhead trim, polished black	Trim
BLCLID-WHT	Blanca Bulkhead Trim, White Eyelid	Trim
BLCLID-BLK	Blanca bulkhead Trim, Black eyelid	Trim
KPT-SCREWDRIVER1	Anti-vandal Screw Driver	Tool
KPT-SCREW1	Anti-vandal Screw Pack	Screw
BLCT-BAS	Blanca bulkhead trim, brass	Trim
BLCT-SCH	Blanca-I, LED Bulkhead Trim, Satin Chrome	Trim
BLCT-CHM	Blanca bulkhead trim, chrome	Trim

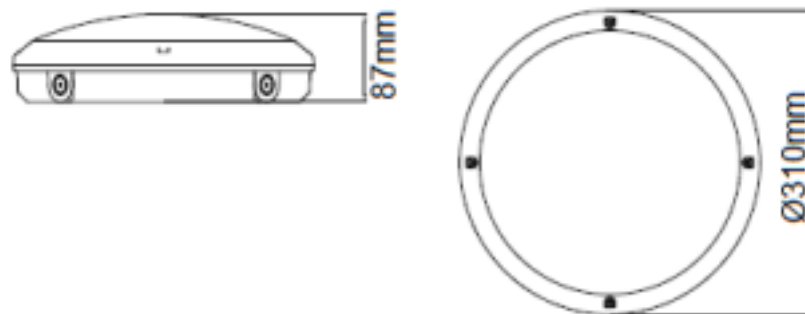
Overview

The Blanca IP65 LED bulkhead for LED DD lamps offers a low maintenance and robust solution to lighting in corridors, staircases and security zones. The standard bulkhead can be used as a utility style bulkhead without a trim or can be enhanced with one of the decorative trims to give a higher aesthetic appeal where required.



General Information

Materials	Housing polycarbonate
Installation Area	Internal and External



Tel: 01635 523 713

Email: sales@kosnic.com

Kosnic.com

