

5 5 Years
Product Warranty
UK Only

2 2 Years
On-Site Warranty
Main-land UK Only

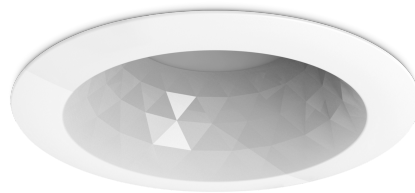


Faceta 2

09056 FAC28IN20-SCT

Faceta 2 14/17/20W Downlight CCT switchable

- High efficiency up to 150lm/W
- Optional add-on emergency kits, available in standard and self-test
- Switchable wattage and CCT (3000/4000/5000K)
- DALI, 0-10V and PUSH dimming alternative driver available
- IP65 when ceiling recess-mounted
- Unique faceted white reflector
- Optional drop-down diffusers for FAC28IN20
- Low glare



Overview

The Faceta LED Commercial

Downlight range are retrofit LED lighting for widely used 3", 4", 6" and 8" fluorescent downlights with a distinctive faceted white reflector and a recessed light source.

Available with a switchable CCT and the downlights are compatible with Kosnic's emergency module.



General Information

IP Rating	IP65
Materials	Housing: Diecast Aluminium + PC
Protection Rating	Class II
Installation Area	Internal
L80B10 Lifetime (h) @Ta 25 °C	106,000 h

Compliance

LVD	EN 60598-1:2024, EN 60598-2-1:2021, EN 62031:2020, EN 62493:2015+A1:2022
EMC	EN 55015:2019+A11:2020, EN 61000-3-2:2019+A1:2021, EN 61000-3-3:2013+A1:2019+A2:2021, EN 61547:2023
Others	UKCA, CE, RoHS, WEEE

Technical Summary

Product Code	FAC28IN20-SCT
Input Voltage Supply	220-240Vac 50/60Hz
Settable Wattages	14W, 17W, 20W
Power Factor	>0.9
Settable Colour Temperatures	3000K, 4000K, 5000K
SDCM of CCT	<3
CRI	85
Lumens Output Maximum	2,800 lm
Maximum Efficiency	150 lm/W
L80B10 Lifetime (h) @ Ta 25 °C	106,000 h
Weight	0.79Kg
Dimensions (L x W x D) (mm)	83xØ252
Cut-Out (mm)	Ø205

Tel: 01635 523 713

Email: sales@kosnic.com

Kosnic.com



Kosnic Lighting KosnicUK KosnicLightingUK

5 5 Years
Product Warranty
UK Only

2 2 Years
On-Site Warranty
Main-land UK Only

Faceta 2



09056 FAC28IN20-SCT

Overview

The Faceta LED Commercial Downlight range are retrofit LED lighting for widely used 3", 4", 6" and 8" fluorescent downlights with a distinctive faceted white reflector and a recessed light source. Available with a switchable CCT and the downlights are compatible with Kosnic's emergency module.



General Information

IP Rating	IP65
Materials	Housing: Diecast Aluminium + PC
Protection Rating	Class II
Installation Area	Internal

Optional Gear

Product Code	Description	Type
DRC26/CSB	Dimmable Driver: Casambi dimmable driver 26W Bluetooth & PUSH button	Dimmable Driver
DRC20/DA	Dimmable Driver: 20W DALI2 primary push dim driver	Dimmable Driver
DRC30/DA	Dimmable Driver: 30W DALI, 1-10V, Primary PUSH Driver	Dimmable Driver
UEM03/SST	Universal Emergency Module Duo 3.5W Standard&Self-test	Emergency Module
EMPAD01	Neka Emergency Downlight kit 2.5W Manual test	Emergency Module
EMPAD01/SST	Neka Duo Emergency Downlight kit 2.5W Manual & Self-test	Emergency Kit
UEM04/SST	Universal Emergency Module Pro Duo 4W Standard/Self Test	Emergency Module
UEM04/DA	Universal Emergency Module Pro DALI 4W	Emergency Module
DRC22/D	Dimmable Driver Phase-cut 22W 300-450mA	

Accessories

Product Code	Description	Type
FAC2AG-CLR	Clear frosted anti-glare halo diffuser for FAC28IN20	Diffuser
FAC2AG-OPL	Opal frosted anti-glare halo diffuser for FAC28IN20	Diffuser

Rated Power (W)	CCT (K)	Lumen (lm)
14	3000 (Warm White)	1960
14	4000 (Cool White)	2100
14	5000 (Day Light)	2100
17	3000 (Warm White)	2295
17	4000 (Cool White)	2465
17	5000 (Day Light)	2465
20	3000 (Warm White)	2600
20	4000 (Cool White)	2800
20	5000 (Day Light)	2800

Tel: 01635 523 713

Email: sales@kosnic.com

Kosnic.com



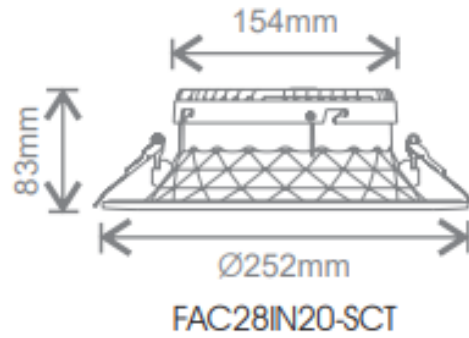
Kosnic Lighting KosnicUK KosnicLightingUK KosnicUK

5 **5 Years**
Product Warranty
UK Only

2 **2 Years**
On-Site Warranty
Main-land UK Only

Faceta 2

09056 FAC28IN20-SCT



Overview

The Faceta LED Commercial Downlight range are retrofit LED lighting for widely used 3", 4", 6" and 8" fluorescent downlights with a distinctive faceted white reflector and a recessed light source. Available with a switchable CCT and the downlights are compatible with Kosnic's emergency module.



General Information

IP Rating	IP65
Materials	Housing: Diecast Aluminium + PC
Protection Rating	Class II
Installation Area	Internal

Tel: 01635 523 713

Email: sales@kosnic.com

Kosnic.com

