

5 5 Years
Product Warranty
UK Only

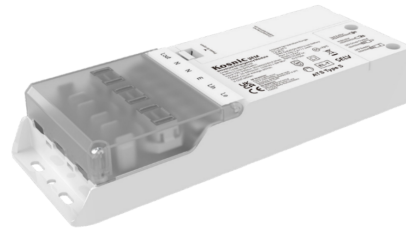
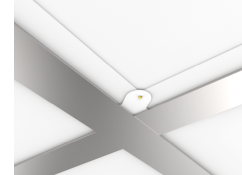
2 2 Years
On-Site Warranty
Main-land UK Only

UEM

09048 UEM03

Universal Emergency Module 3W

- Loop-in loop-out push-wire terminals
- Easy Plug & Play installation and battery replacement
- Designed for use with all LED luminaires (class III) with external driver
- For maintained or non-maintained emergency lighting systems
- Internal Li-ion battery with improved lifespan



Overview

The 3W Universal Emergency Module (UEM03) is suitable for class III luminaires. This gives a typical power output of 3W but will depend on the characteristics of the luminaire.



General Information

IP Rating	IP20
Protection Rating	Class II
Installation Area	Internal
UEM/EME Protection	Class II

Compliance

LVD	EN 61347-1:2015+A1:2021, EN 61347-2-7:2012+A1:2021, EN 62493:2015+A1:2022
EMC	EN 55015:2019+A11:2020, EN 61000-3-2:2019+A1:2021, EN 61000-3-3:2013+A1:2019+A2:2021, EN 61547:2023
Others	UKCA, CE, RoHS, WEEE, REACH

Technical Summary

Product Code	UEM03
Dimensions (L x W x D) (mm)	185x71x32
UEM/EME Battery Life	4 y
UEM/EME Input Voltage	220-240Vac 50/60Hz
UEM/EME Ambient Temperature Range	0°C to 45°C
UEM/EME Maximum Working Voltage (Vdc)	60 V
Emergency Modes	Maintained or Non-maintained
UEM/EME Test Function	Manual
UEM/EME Protection	Class II
UEM/EME Weight	0.285 kg
UEM/EME Battery Output Wattage (max)	3.5 W
UEM/EME Dimensions (L x W x D) (mm)	185x71x32
UEM/EME Emergency Operation Test	Manual

Tel: 01635 523 713

Email: sales@kosnic.com

Kosnic.com



Kosnic Lighting KosnicUK KosnicLightingUK

5 5 Years
Product Warranty
UK Only

2 2 Years
On-Site Warranty
Main-land UK Only

UEM



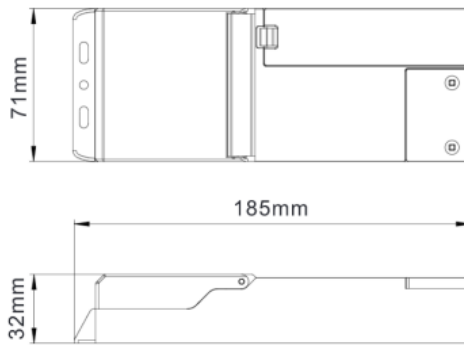
09048 UEM03

Accessories

Product Code	Description	Type
BAT48LI1	Li-ion Battery Pack for UEM03	Battery

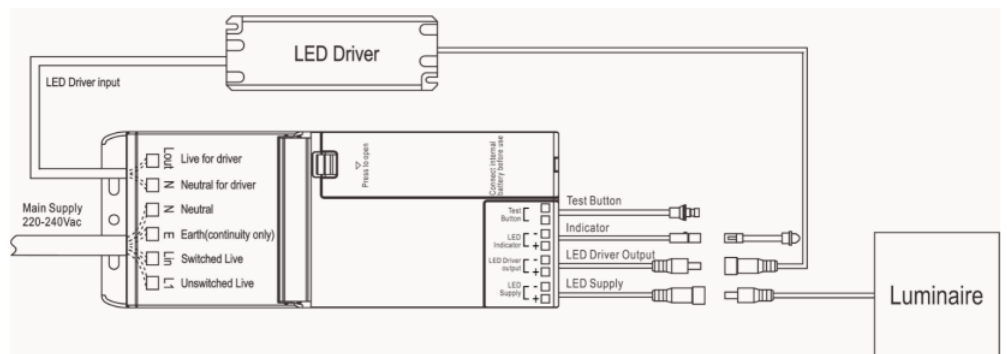
Overview

The 3W Universal Emergency Module (UEM03) is suitable for class III luminaires. This gives a typical power output of 3W but will depend on the characteristics of the luminaire.



General Information

IP Rating	IP20
Protection Rating	Class II
Installation Area	Internal
UEM/EME Protection	Class II



Tel: 01635 523 713

Email: sales@kosnic.com

Kosnic.com



Kosnic Lighting KosnicUK KosnicLightingUK KosnicUK