

**7** 7 Years  
Product Warranty  
UK Only

**2** 2 Years  
On-Site Warranty  
Main-land UK Only



# BEM05 DALI

08976 BEM05/DA

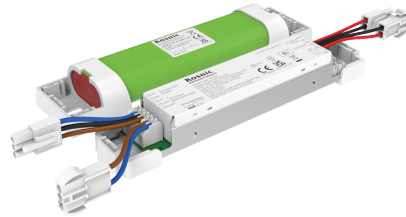
## Emergency module 5W DALI-2&Self test for Kosnic Lowbays

- For maintained or non-maintained emergency lighting systems
- LiFePO4 battery with improved lifespan
- Designed for easy installation and battery replacement
- With patented adaptive current control, this emergency module is suitable for LED load with a forward voltage between 30 to 300V
- DALI-2 conforming to EN 62386-202

### Overview

The emergency module is an optional extra for a selection of Kosnic LED Low Bay luminaires.

This module will add a minimum 3hr duration emergency lighting option, giving you complete peace of mind in all your installations.



IP20



### General Information

IP Rating IP20  
Installation Internal  
Area

### Technical Summary

Product Code	BEM05/DA
Weight	0.18Kg
UEM/EME Battery Life	4 y
UEM/EME Input Voltage	220-240Vac 50/60Hz
Emergency Modes	Maintained or Non-maintained
UEM/EME Test Function	DALI-2 & Self Test
UEM/EME Weight	0.18 kg
UEM/EME Dimensions (L x W x D) (mm)	176x32x26, 176x42x23
UEM/EME Emergency Operation Test	DALI2 & Self-test

### Compliance

Others UKCA, CE, RoHS, WEEE, REACH

Tel: 01635 523 713

Email: sales@kosnic.com

Kosnic.com



Kosnic Lighting KosnicUK KosnicLightingUK

**7** 7 Years  
Product Warranty  
UK Only

**2** 2 Years  
On-Site Warranty  
Main-land UK Only

# BEM05 DALI



08976 BEM05/DA

## Overview

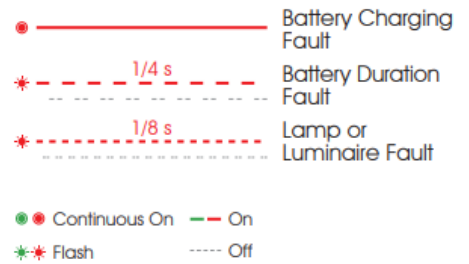
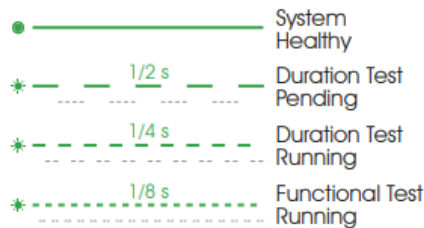
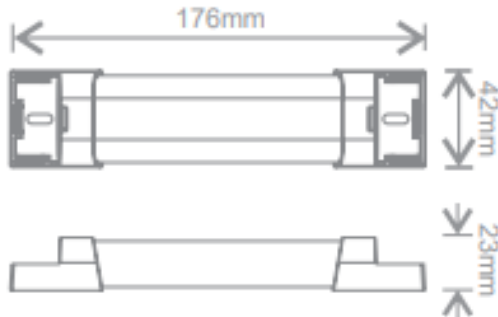
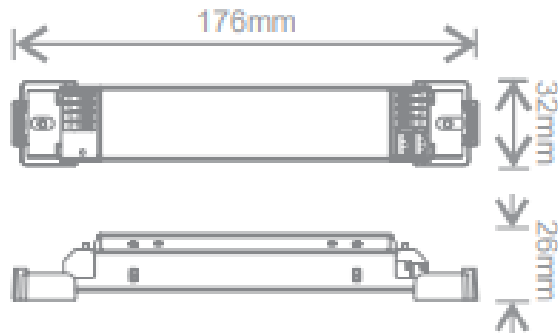
The emergency module is an optional extra for a selection of Kosnic LED Low Bay luminaires. This module will add a minimum 3hr duration emergency lighting option, giving you complete peace of mind in all your installations.

IP20



## General Information

IP Rating	IP20
Installation Area	Internal



Tel: 01635 523 713

Email: sales@kosnic.com

Kosnic.com

