

7 7 Years
Product Warranty
UK Only

2 2 Years
On-Site Warranty
Main-land UK Only

BEM05 2 in 1

08975 BEM05/SST

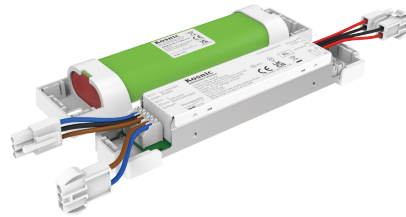
Emergency module Duo 5W Manual&Self-test for Kosnic Lowbays

- Select manual or self-test mode via the dual-mode DIP switch
- To adjust green LED indicator brightness, press and hold the test button for more than 3 seconds
- To set the duration test interval, press the push switch twice
- For maintained or non-maintained emergency lighting systems
- Automatic Self-test conforming to BS-EN-62034
- Designed for easy installation and battery replacement
- LiFePO4 battery with improved lifespan
- With patented adaptive current control, this emergency module is suitable for LED load with a forward voltage between 30 to 300V

Overview

The emergency module is an optional extra for a selection of Kosnic LED Low Bay luminaires.

This module will add a minimum 3hr duration emergency lighting option, giving you complete peace of mind in all your installations. Plus, with this module, you can switch between standard and self-test.



IP20



General Information

IP Rating	IP20
Installation Area	Internal

Technical Summary

Product Code	BEM05/SST
Weight	0.18Kg
UEM/EME Battery Life	4 y
UEM/EME Input Voltage	220-240Vac 50/60Hz
UEM/EME Ambient Temperature Range	0°C to 50°C
Emergency Modes	Maintained or Non-maintained
UEM/EME Test Function	Standard and Self-test
UEM/EME Weight	0.18 kg
UEM/EME Dimensions (L x W x D) (mm)	176x32x26, 176x42x23
UEM/EME Emergency Operation Test	Standard & Self-test

Compliance

Others	UKCA, CE, RoHS, WEEE, REACH
--------	-----------------------------

Tel: 01635 523 713

Email: sales@kosnic.com

Kosnic.com



Kosnic Lighting KosnicUK KosnicLightingUK

7 7 Years
Product Warranty
UK Only

2 2 Years
On-Site Warranty
Main-land UK Only

BEM05 2 in 1



08975 BEM05/SST

Overview

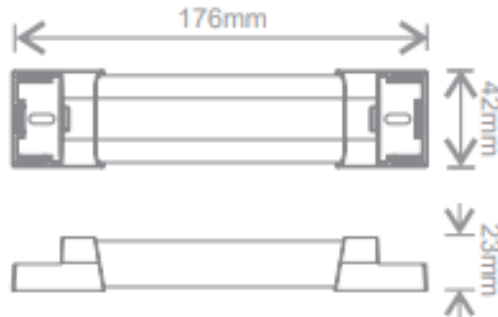
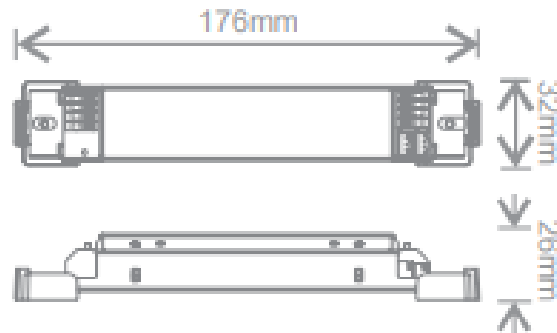
The emergency module is an optional extra for a selection of Kosnic LED Low Bay luminaires. This module will add a minimum 3hr duration emergency lighting option, giving you complete peace of mind in all your installations. Plus, with this module, you can switch between standard and self-test.

IP20



General Information

IP Rating	IP20
Installation Area	Internal



Healthy Statuses:

- — System Healthy
- * — 1/2 s — Duration Test Pending
- * — 1/4 s — Duration Test Running
- * — 1/8 s — Functional Test Running

Symbols explained: ● Continuous On * Flash — On - - - - Off

Faults & Warning:

- — Battery Charging Fault / Not Connected
- * — 1/4 s — Battery Duration Fault
- * — 1/8 s — Lamp or Luminaire Fault
- * ● — 5 s — 1 s — Installation Fault Warning

Tel: 01635 523 713

Email: sales@kosnic.com

Kosnic.com



Kosnic Lighting KosnicUK KosnicLightingUK KosnicUK