

7 7 Years
Product Warranty
UK Only

2 2 Years
On-Site Warranty
Main-land UK Only



Nok DALI

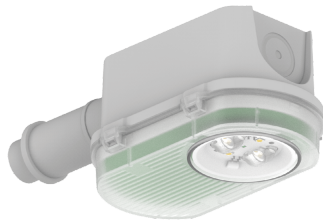
08972 NOK02/DA

Nok DALI non-maintained side-mount Emergency DALI-2&Self-test

- Adjustable Beam Angle, 115° and 70°x140°
- Easy to install via 20mm conduit / gland entry with supplied extension tube
- Non-maintained, 3hrs
- Easy to install on Kosnic LED battens and non-corrosive
- Push-wire loop-in and loop-out terminal block included
- Built-in green status indicator
- DALI-2 conforming to EN 62386-202

Overview

The Nok side-mounted emergency light is the perfect addition to any lighting design, simply install it to the 20mm Conduit entry point on the end of your batten. Plus, with the option to choose between standard, self-test and DALI - this add-on emergency light will have you covered.



General Information

IK Rating	IK10
IP Rating	IP65
Materials	Housing: Polycarbonate
Installation Area	Internal
UEM/EME Protection	Class II
L80B10 Lifetime (h) @Ta 25 °C	160,000 h

Compliance

Others UKCA, CE, RoHS, WEEE, REACH

Technical Summary

Product Code	NOK02/DA
Lumens Output Maximum	160 lm
Emergency Luminous Flux	160 lm
L80B10 Lifetime (h) @Ta 25 °C	160,000 h
UEM/EME Input Voltage	220-240Vac 50/60Hz
UEM/EME Ambient Temperature Range	0°C to 50°C
UEM/EME CCT	6,000 K
UEM/EME Input Power (Max)	2.5 W
UEM/EME Protection	Class II
UEM/EME Dimensions (L x W x D) (mm)	174x74x63
Beam Angle - Lumi (°)	115 or 70x140

Tel: 01635 523 713

Email: sales@kosnic.com

Kosnic.com



Kosnic Lighting KosnicUK KosnicLightingUK

7 7 Years
Product Warranty
UK Only

2 2 Years
On-Site Warranty
Main-land UK Only

Nok DALI



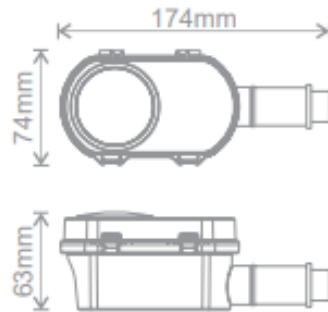
08972 NOK02/DA

Accessories

Product Code	Description
BATS18LFP1	Battery for DD EME 2, Doxa 2 & EME light 2 in 1, Temp sensor

Overview

The Nok side-mounted emergency light is the perfect addition to any lighting design, simply install it to the 20mm Conduit entry point on the end of your batten. Plus, with the option to choose between standard, self-test and DALI - this add-on emergency light will have you covered.



General Information

IK Rating	IK10
IP Rating	IP65
Materials	Housing: Polycarbonate
Installation Area	Internal
UEM/EME Protection	Class II

Healthy Statuses:

- — System Healthy
- * — 1/2 s — Duration Test Pending
- * — 1/4 s — Duration Test Running
- * — 1/8 s — Functional Test Running
- * — 1/10 s — Inhibit Mode Activated

Symbols explained: ● Continuous On * Flash — On - - - - Off

Faults & Warning:

- — Battery Charging Fault / Not Connected
- * — 1/4 s — Battery Duration Fault
- * — 1/8 s — Lamp or Luminaire Fault



Tel: 01635 523 713

Email: sales@kosnic.com

Kosnic.com



Kosnic Lighting KosnicUK KosnicLightingUK KosnicUK