

**7** 7 Years  
Product Warranty  
UK Only

**2** 2 Years  
On-Site Warranty  
Main-land UK Only



# Nok 2 in 1

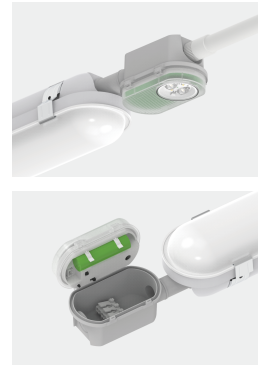
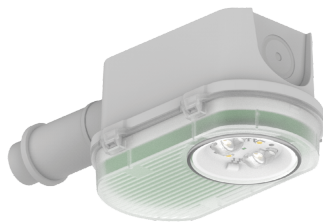
08971 NOK02/SST

## Nok Duo non-maintained side-mount Emergency Manual&Self-

- Select manual or self-test mode via the internal dual-mode DIP switch
- Automatic Self-test conforming to BS-EN-62034
- To adjust green LED indicator brightness, press and hold the test button for more than 2 seconds
- Adjustable beam angle, 115° and 70x140°
- Non-maintained, 3hrs
- Easy to install via 20mm conduit / gland entry with supplied extension tube
- Easy to install on Kosnic LED battens and non-corrosive
- Push-wire loop-in and loop-out terminal block included
- Built-in green status indicator

### Overview

The Nok side-mounted emergency light is the perfect addition to any lighting design, simply install it to the 20mm Conduit entry point on the end of your batten. Plus, with the option to choose between standard, self-test and DALI - this add-on emergency light will have you covered.



### General Information

IK Rating	IK10
IP Rating	IP65
Materials	Housing: Polycarbonate
Installation Area	Internal
UEM/EME Protection	Class II
L80B10 Lifetime (h) @Ta 25 °C	160,000 h

### Compliance

LVD	EN 60598-1:2024, EN 60598-2-22:2022, EN 61347-1:2015+A1:2021, EN 61347-2-7:2012+A1:2021, EN 62031:2020, EN 62493:2015+A1:2022
EMC	EN 55015:2019+A11:2020, EN 61000-3-2:2019+A1:2021, EN 61000-3-3:2013+A1:2019+A2:2021, EN 61547:2023
Others	UKCA, CE, RoHS, WEEE, REACH

### Technical Summary

Product Code	NOK02/SST
Lumens Output Maximum	160 lm
Emergency Luminous Flux	160 lm
L80B10 Lifetime (h) @Ta 25 °C	160,000 h
Weight	0.2Kg
UEM/EME Input Voltage	220-240Vac 50/60Hz
UEM/EME Ambient Temperature Range	0°C to 50°C
UEM/EME CCT	6,000 K
UEM/EME Input Power (Max)	2.5 W
UEM/EME Protection	Class II
UEM/EME Weight	0.2 kg
UEM/EME Dimensions (L x W x D) (mm)	174x74x63
Beam Angle - Lumi (°)	115 or 70x140

Tel: 01635 523 713

Email: sales@kosnic.com

Kosnic.com



Kosnic Lighting KosnicUK KosnicLightingUK

**7** 7 Years  
Product Warranty  
UK Only

**2** 2 Years  
On-Site Warranty  
Main-land UK Only

# Nok 2 in 1

08971 NOK02/SST

## Accessories

Product Code	Description
BATS18LFP1	Battery for DD EME 2, Doxa 2 & EME light 2 in 1, Temp sensor

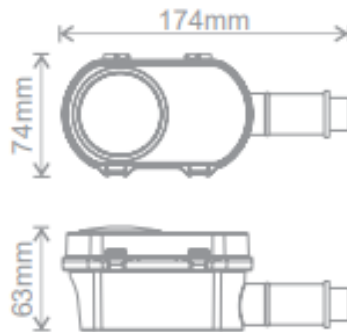
## Overview

The Nok side-mounted emergency light is the perfect addition to any lighting design, simply install it to the 20mm Conduit entry point on the end of your batten. Plus, with the option to choose between standard, self-test and DALI - this add-on emergency light will have you covered.



## General Information

IK Rating	IK10
IP Rating	IP65
Materials	Housing: Polycarbonate
Installation Area	Internal
UEM/EME Protection	Class II



### Healthy Statuses:

- ————— System Healthy
- \* - - - - -  $\frac{1}{2}$  s ————— Duration Test Pending
- \* - - - - -  $\frac{1}{4}$  s ————— Duration Test Running
- \* - - - - -  $\frac{1}{8}$  s ————— Functional Test Running

Symbols explained: ● ● Continuous On \* - - - - - Flash - - - - - On - - - - - Off

### Faults & Warning:

- ————— Battery Charging Fault / Not Connected
- \* - - - - -  $\frac{1}{4}$  s ————— Battery Duration Fault
- \* - - - - -  $\frac{1}{8}$  s ————— Lamp or Luminaire Fault
- \* - - - - -  $\frac{5}{1}$  s  $\frac{1}{1}$  s ————— Installation Fault Warning

Tel: 01635 523 713

Email: [sales@kosnic.com](mailto:sales@kosnic.com)

[Kosnic.com](http://Kosnic.com)






**7** 7 Years  
Product Warranty  
UK Only

**2** 2 Years  
On-Site Warranty  
Main-land UK Only

# Nok 2 in 1

08971 NOK02/SST

## Push switch

 x1	FUNCTIONAL TEST
 x3	DURATION TEST
 HOLD	INDICATOR DIMMING

## Overview

The Nok side-mounted emergency light is the perfect addition to any lighting design, simply install it to the 20mm Conduit entry point on the end of your batten. Plus, with the option to choose between standard, self-test and DALI - this add-on emergency light will have you covered.



**IP65**



## General Information

IK Rating	IK10
IP Rating	IP65
Materials	Housing: Polycarbonate
Installation Area	Internal
UEM/EME Protection	Class II

Tel: 01635 523 713

Email: [sales@kosnic.com](mailto:sales@kosnic.com)

[Kosnic.com](http://Kosnic.com)

