

7 7 Years
Product Warranty
UK Only

2 2 Years
On-Site Warranty
Main-land UK Only



Batten UEM 2 in 1

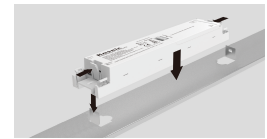
08960 BEM303-110/SST

BEM Low Input Voltage Duo 3W Std&Self-test for Kosnic Battens

- Select manual or self-test mode via the dual-mode DIP switch
- To adjust the green LED indicator brightness, press and hold the test button for more than 3 seconds
- To set the duration test interval, press the push switch twice
- For maintained or non-maintained emergency lighting systems
- Automatic self-test conforming to BS-EN-62034
- Designed for easy installation and battery replacement
- Internal LiFePO4 battery with improved lifespan
- With patented adaptive current control, this emergency module is suitable for LED load with a forward voltage between 30 and 300V

Overview

The Emergency Module for LED Batten Luminaires has been designed for easy installation in a range of Kosnic LED batten luminaires. The emergency module will adjust the output within the module's limits to the level required to operate the luminaire and ensure an operation time of three hours.



General Information

IP Rating	IP20
Installation Area	Internal
UEM/EME Protection	Class II

Technical Summary

Product Code	BEM303-110/SST
Weight	0.18Kg
Dimensions (L x W x D) (mm)	221x43x26
UEM/EME Battery Life	4 y
UEM/EME Input Voltage	100-120Vac
UEM/EME Ambient Temperature Range	0°C to 50°C
UEM/EME Test Function	Automatic and Manual
UEM/EME Protection	Class II
UEM/EME Battery Output Wattage (max)	3 W
UEM/EME Dimensions (L x W x D) (mm)	221x43x26

Compliance

Others	UKCA, CE, RoHS, WEEE, REACH
--------	-----------------------------

Tel: 01635 523 713

Email: sales@kosnic.com

Kosnic.com



Kosnic Lighting KosnicUK KosnicLightingUK

7 7 Years
Product Warranty
UK Only

2 2 Years
On-Site Warranty
Main-land UK Only



Batten UEM 2 in 1

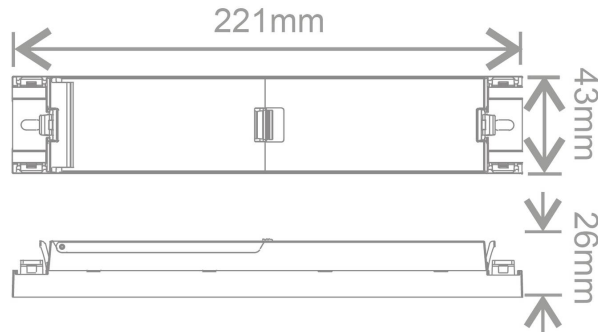
08960 BEM303-110/SST

Accessories

Product Code	Description	Type
BATS20LFP2	Battery LiFePO4 for Batten UEM Duo	Battery

Overview

The Emergency Module for LED Batten Luminaires has been designed for easy installation in a range of Kosnic LED batten luminaires. The emergency module will adjust the output within the module's limits to the level required to operate the luminaire and ensure an operation time of three hours.



General Information

IP Rating	IP20
Installation Area	Internal
UEM/EME Protection	Class II

Healthy Statuses:

- — System Healthy
- * — 1/2 s — Duration Test Pending
- * — 1/4 s — Duration Test Running
- * — 1/8 s — Functional Test Running

Symbols explained: ● ● Continuous On * * Flash — On - - - - Off

Faults & Warning:

- — Battery Charging Fault / Not Connected
- * — 1/4 s — Battery Duration Fault
- * — 1/8 s — Lamp or Luminaire Fault
- * * — 5 s — 1 s — Installation Fault Warning

Tel: 01635 523 713

Email: sales@kosnic.com

Kosnic.com



Kosnic Lighting KosnicUK KosnicLightingUK KosnicUK