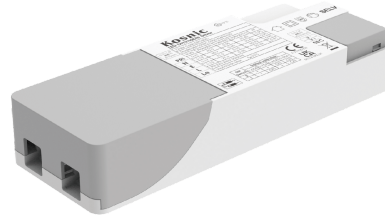


# Dimmable Driver

08923 DRC40/D

## Dimmable Driver 40W Phase-cut

- Loop-in and loop-out push-wire terminals
- Stand-by power below 0.5W
- Flicker-free for entire dimming range
- Configurable output current with DIP switches



### Overview

The Kosnic constant current dimmable LED drivers are suitable for a variety of products with multiple constant current output selections available and can easily be configured with the DIP switches.



### General Information

Installation Area Internal

### Technical Summary

Product Code	DRC40/D
Driver Maximum Power (W)	40 W
Driver Output Current (mA)	650-950
Driver Power Factor	>=0.9
Weight	0.16Kg

### Compliance

Others UKCA, CE, RoHS, WEEE

Tel: 01635 523 713

Email: sales@kosnic.com

Kosnic.com



Kosnic Lighting KosnicUK KosnicLightingUK

# Dimmable Driver

08923 DRC40/D

## Overview

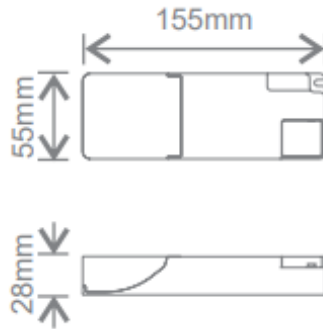
The Kosnic constant current dimmable LED drivers are suitable for a variety of products with multiple constant current output selections available and can easily be configured with the DIP switches.

Current Setting (mA)
650
750
850
950




## General Information

Installation Area      Internal



## Output Current

	1	2	
	-	-	650mA
	ON	-	750mA
	-	ON	850mA
	ON	ON	950mA

Tel: 01635 523 713

Email: [sales@kosnic.com](mailto:sales@kosnic.com)

[Kosnic.com](http://Kosnic.com)

