

7 7 Years
Product Warranty
UK Only

2 2 Years
On-Site Warranty
Main-land UK Only

Kosnic 

Etna Plus

08899 ETNP24-SCT

Etna Plus 14W/17W/21W/24W bulkhead CCT switchable

- Switchable wattage and CCT (3000/4000/5000K)
- Optional plug-in emergency modules, available in standard, self-test and DALI
- Optional plug-in microwave corridor sensor compatible with Uni-Remote
- Die-cast aluminium body
- 20mm Conduit entry
- BESA box fitting points
- IP65 and vandal resistant (IK10)
- Optional plug-in DALI conversion module



Overview

The Etna Plus die-cast aluminium bulkhead is the perfect addition to exterior applications with its IP65 and IK10 rating. The luminaire can be customised by choosing your desired wattage and CCT settings, plus you can add in a wide range of our optional emergency modules and sensors.



IP65



General Information

| | |
|--------------------------------|----------------------------------|
| Ambient Temperature Range (°C) | -20°C to 50°C |
| IK Rating | IK10 |
| IP Rating | IP65 |
| Materials | Housing: Die-cast aluminium + PC |
| Protection Rating | Class I |
| Installation Area | Internal and External |
| L80B10 Lifetime (h) @Ta 25 °C | 90,000 h |

Compliance

| | |
|--------|--|
| LVD | EN 60598-1:2024, EN 60598-2-1:2021, EN 61347-1:2015+A1:2021, EN 61347-2-11:2001+A1:2019, EN 61493:2015 |
| EMC | EN 55015:2019+A11:2020, EN 61000-3-2:2019+A1:2021, EN 61000-3-3:2013+A1:2019+A2:2021, EN 61547:2023 |
| Others | UKCA, CE, RoHS, WEEE |

Technical Summary

| | |
|------------------------------------|------------------------|
| Product Code | ETNP24-SCT |
| Input Voltage Supply | 220-240Vac 50/60Hz |
| Inrush Current (peak/duration) (A) | 40A/400us |
| Settable Wattages | 14W, 17W, 21W, 24W |
| Driver Code/Part number | DR25C25-40 (MicroMile) |
| Driver Maximum Power (W) | 25.2 |
| Power Factor | 0.93 |
| Driver Power Factor | >0.9 |
| Settable Colour Temperatures | 3000K, 4000K, 5000K |
| SDCM of CCT | <6 |
| CRI | 82 |
| Dimmable | N |
| Flicker | <1% |
| Lumens Output Maximum | 2,640 lm |
| Emergency Luminous Flux | 80 lm |
| L70B50 Lifetime (h) @Ta 25 °C | 138,000 h |
| L80B10 Lifetime (h) @Ta 25 °C | 90,000 h |
| L90B10 Lifetime (h) @Ta 25 °C | 49,000 h |
| Nominal Lifetime (h) | 50,000 h |
| Glow wire temperature(°C) | 650 |
| Blue Light Hazard | RG1 |
| Weight | 2.25Kg |
| Dimensions (L x W x D) (mm) | 92xØ360 |
| BESA Entry | True |
| Conduit Entry 20mm | Yes |
| Beam Angle - Lumi (°) | 112 |
| LS Energy Efficiency Class | C |

Tel: 01635 523 713

Email: sales@kosnic.com

Kosnic.com



Kosnic Lighting KosnicUK

KosnicLightingUK

7 7 Years
Product Warranty
UK Only

2 2 Years
On-Site Warranty
Main-land UK Only

Etna Plus



08899 ETNP24-SCT

Optional Gear

| Product Code | Description | Type |
|--------------|---|------------------|
| EMDD202 | DD EME 2 2W standard emergency module for LED DD and bulkhead | Emergency Module |
| EMDD202/SST | DD EME 2 Duo 2W emergency module for LED DD and bulkhead | Emergency Module |
| EMDD202/DA | DD EME 2 DALI-2 2W & Self-test emergency module | Emergency Module |
| LUL-M/D | Lulu Plug in microwave motion and daylight sensor 12V DC | Microwave Sensor |

Accessories

| Product Code | Description | Type |
|--------------|--|----------------|
| RMT-UNI | Universal Remote Control for Kosnic motion sensors | Remote Control |

| Rated Power (W) | Current (mA) | CCT (K) | Power Factor | Lumen (lm) |
|-----------------|--------------|-------------------|--------------|------------|
| 14 | 70 | 3000 (Warm White) | 0.90 | 1330 |
| 14 | 70 | 4000 (Cool White) | 0.90 | 1540 |
| 14 | 70 | 5000 (Day Light) | 0.90 | 1400 |
| 17 | 80 | 3000 (Warm White) | 0.93 | 1610 |
| 17 | 80 | 4000 (Cool White) | 0.93 | 1870 |
| 17 | 80 | 5000 (Day Light) | 0.93 | 1700 |
| 21 | 90 | 3000 (Warm White) | 0.93 | 1990 |
| 21 | 90 | 4000 (Cool White) | 0.93 | 2310 |
| 21 | 90 | 5000 (Day Light) | 0.93 | 2100 |
| 24 | 100 | 3000 (Warm White) | 0.95 | 2280 |
| 24 | 100 | 4000 (Cool White) | 0.95 | 2640 |
| 24 | 100 | 5000 (Day Light) | 0.95 | 2400 |

Overview

The Etna Plus die-cast aluminium bulkhead is the perfect addition to exterior applications with its IP65 and IK10 rating. The luminaire can be customised by choosing your desired wattage and CCT settings, plus you can add in a wide range of our optional emergency modules and sensors.



IP65



General Information

| | |
|--------------------------------|----------------------------------|
| Ambient Temperature Range (°C) | -20°C to 50°C |
| IK Rating | IK10 |
| IP Rating | IP65 |
| Materials | Housing: Die-cast aluminium + PC |
| Nominal Lifetime (h) | 50,000 h |
| Protection Rating | Class I |
| Installation Area | Internal and External |

Tel: 01635 523 713

Email: sales@kosnic.com

Kosnic.com



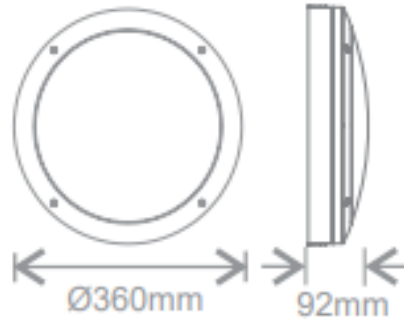
Kosnic Lighting KosnicUK KosnicLightingUK KosnicUK

7 7 Years
Product Warranty
UK Only

2 2 Years
On-Site Warranty
Main-land UK Only

Etna Plus

08899 ETNP24-SCT



Overview

The Etna Plus die-cast aluminium bulkhead is the perfect addition to exterior applications with its IP65 and IK10 rating. The luminaire can be customised by choosing your desired wattage and CCT settings, plus you can add in a wide range of our optional emergency modules and sensors.



IP65



General Information

| | |
|--------------------------------|----------------------------------|
| Ambient Temperature Range (°C) | -20°C to 50°C |
| IK Rating | IK10 |
| IP Rating | IP65 |
| Materials | Housing: Die-cast aluminium + PC |
| Nominal Lifetime (h) | 50,000 h |
| Protection Rating | Class I |
| Installation Area | Internal and External |

Tel: 01635 523 713

Email: sales@kosnic.com

Kosnic.com

