

# Condor Pro

08898    CONP-P

## Condor Pro PIR Sensor with Zhaga connector

- Standard Zhaga connector
- Max mounting height of 16 meters with large detection range
- Corridor function with dimming output
- Configure with Uni-Remote



### Overview

The Condor Pro is our add-on PIR sensor with a standard zhaga connector. It has a maximum mounting height of 16 meters and with its large detection range, it can be completely configured with the Uni-Remote - for complete flexibility with your lighting installation.



**IP65**



### General Information

Ambient Temperature Range (°C)	-20°C to 60°C
IP Rating	IP65
Protection Rating	Class III
Installation Area	Internal

### Technical Summary

Product Code	CONP-P
Input Voltage Supply	12-24Vdc
Weight	0.06Kg
Dimensions (L x W x D) (mm)	52xØ64

### Compliance

Others	UKCA, CE, RoHS, WEEE
--------	----------------------

Tel: 01635 523 713

Email: [sales@kosnic.com](mailto:sales@kosnic.com)

[Kosnic.com](http://Kosnic.com)

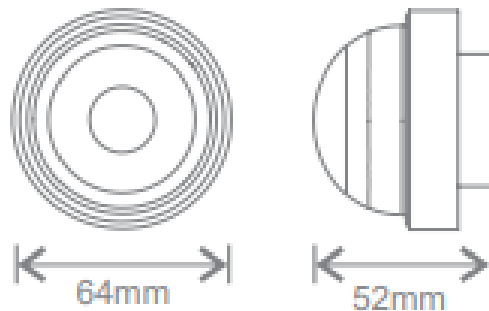


# Condor Pro

08898 CONP-P

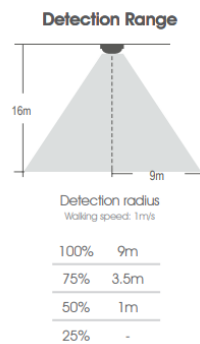
## Overview

The Condor Pro is our add-on PIR sensor with a standard zhaga connector. It has a maximum mounting height of 16 meters and with its large detection range, it can be completely configured with the Uni-Remote - for complete flexibility with your lighting installation.



## General Information

Ambient Temperature Range (°C)	-20°C to 60°C
IP Rating	IP65
Protection Rating	Class III
Installation Area	Internal



A1 - A2 Hold Time [MIN]	A3 - A4 Daylight Threshold [LUX]	A5 - A6 Stand-By Period [MIN]	A7 - A8 Stand-By Dim Level [%]	B1 - B2 Detection Area [%]	B3 - B4 CCT [K]	B5 - B6 Brightness [%]	B7 User Key	B8 Pair Key
Time stays ON after no motion detected	OFF when ambient light above threshold	Remains dimmed for this period if no motion detected & then turns off	Dimmed level in Stand-By	Sensor detection area/ sensitivity	Correlated colour Temperature	Adjust luminaire brightness	SECURITY SETTINGS	

Tel: 01635 523 713

Email: sales@kosnic.com

Kosnic.com

