

7 7 Years
Product Warranty
UK Only

2 2 Years
On-Site Warranty
Main-land UK Only



Alden Sensor

08873 ALDS36-SCT

Alden Sensor 36W backlit panel, built-in sensor CCT switchable

- High efficiency up to 142lm/W
- TP(a) rated diffuser for enhanced fire safety
- Switchable CCT (3000/4000/6500K)
- Optional plug-in emergency modules, available in standard, self-test and DALI
- IP44 when ceiling recess-mounted
- Visual comfort flicker-free technology with short term flicker perceptibility (Pst) being measured at 0
- UGR < 17
- SDCM < 3
- Configurable with the Uni-Remote
- Built-in PIR sensor with daylight harvesting

Overview

The Kosnic Alden Sensor is the latest addition to our panel range combining high energy efficiency with built-in sensor capabilities. It also offers direct backlit lighting with wide-angle optics to achieve even light distribution across the surface of the luminaire.



IP44



General Information

Ambient Temperature Range (°C)	-20°C to 50°C
IK Rating	IK04
IP Rating	IP44
Materials	Housing: Iron + Aluminium, Diffuser: Polystyrene TP(a)
Protection Rating	Class III
Installation Area	Internal
L80B10 Lifetime (h) @Ta 25 °C	111,000 h

Compliance

LVD	EN 60598-1:2024, EN 60598-2-2:2012, EN 62031:2020, EN 62493:2015+A1:2022, EN 62778:2014
EMC	EN 55015:2019+A11:2020, EN 61000-3-2:2019+A1:2021, EN 61000-3-3:2013+A1:2019+A2:2021, EN 61547:2023
Others	UKCA, CE, RoHS, WEEE

Technical Summary

Product Code	ALDS36-SCT
Input Voltage Supply	220-240Vac 50/60Hz
Inrush Current (peak/duration) (A)	50A/120 µs
Default Power	36 W
Driver Code/Part number	DR49C95/DV (Kosnic)
Driver Maximum Power (W)	49 W
Power Factor	0.95
Driver Power Factor	>= 0.90
Settable Colour Temperatures	3000K, 4000K, 6500K
SDCM of CCT	<3
CRI	82
Dimmable	N
Flicker	<0.3%
Lumens Output Maximum	5,110 lm
Emergency Luminous Flux	500 lm
L70B50 Lifetime (h) @Ta 25 °C	176,000 h
L80B10 Lifetime (h) @Ta 25 °C	111,000 h
L90B10 Lifetime (h) @Ta 25 °C	53,000 h
Nominal Lifetime (h)	50,000 h
Glow wire temperature(°C)	850
Blue Light Hazard	RG1
Weight	1.9Kg
Dimensions (L x W x D) (mm)	595x595x36
LS Energy Efficiency Class	D

Tel: 01635 523 713

Email: sales@kosnic.com

Kosnic.com



Kosnic Lighting KosnicUK KosnicLightingUK

7 7 Years
Product Warranty
UK Only

2 2 Years
On-Site Warranty
Main-land UK Only

Alden Sensor



08873 ALDS36-SCT

Overview

The Kosnic Alden Sensor is the latest addition to our panel range combining high energy efficiency with built-in sensor capabilities. It also offers direct backlit lighting with wide-angle optics to achieve even light distribution across the surface of the luminaire.



IP44



General Information

Ambient Temperature Range (°C)	-20°C to 50°C
IK Rating	IK04
IP Rating	IP44
Materials	Housing: Iron + Aluminium, Diffuser: Polystyrene TP(a)
Nominal Lifetime (h)	50,000 h
Protection Rating	Class III
Installation Area	Internal

Optional Gear

Product Code	Description	Type
UEM03	Universal Emergency Module 3W	Emergency Module
UEM03/SST	Universal Emergency Module Duo 3.5W Standard&Self-test	Emergency Module
UEM04	Universal Emergency Module Pro 4W	Emergency Module
UEM04/SST	Universal Emergency Module Pro Duo 4W Standard/Self Test	Emergency Module
UEM04/DA	Universal Emergency Module Pro DALI 4W	Emergency Module
EMPAD02	Niah Emergency Panel kit 2.5W Manual test	Emergency Module
EMPAD02/SST	Niah Duo Emergency Panel kit 2.5W Manual & Self-test	Emergency Kit

Accessories

Product Code	Description	Type
RMT-UNI	Universal Remote Control for Kosnic motion sensors	Remote Control
SMT0606	Surface-mount frame for 600x600 panel, White	Mount Frame
SAS0606	Clips for Burgess ceilings	Clips/Brackets
SRF0606	Skylight Recessed Frame 595x595mm	Mount Frame
SUS04	LED Panel & Slim Line 2 suspension kit (4 cables per bag)	Suspension Kit
SUS04/25	Suspension kit 2.5m Alden & Nevis & Slim Line 2 (4 cables per bag)	Suspension Kit
REC0606	Recessed-mount frame 595x595mm white	Mount Frame
SBX0606	Surface-mount frame Pre-build 595x595mm, White	Mount Frame
CON4F3M	Push-wire connector 4 pin to 3pin	Connector kit
CON4F4M	Push-wire connector 4 pin to 4 pin	Connector kit

CCT (K)	Lumen (lm)
3000 (Warm White)	4790
4000 (Cool White)	5110
6500 (Day Light)	4950

Tel: 01635 523 713

Email: sales@kosnic.com

Kosnic.com



Kosnic Lighting KosnicUK KosnicLightingUK KosnicUK

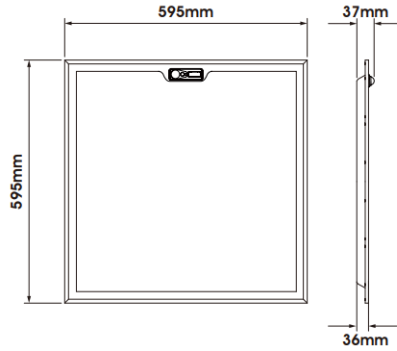
7 7 Years
Product Warranty
UK Only

2 2 Years
On-Site Warranty
Main-land UK Only

Alden Sensor



08873 ALDS36-SCT



Overview

The Kosnic Alden Sensor is the latest addition to our panel range combining high energy efficiency with built-in sensor capabilities. It also offers direct backlit lighting with wide-angle optics to achieve even light distribution across the surface of the luminaire.



IP44



General Information

Ambient Temperature Range (°C)	-20°C to 50°C
IK Rating	IK04
IP Rating	IP44
Materials	Housing: Iron + Aluminium, Diffuser: Polystyrene TP(a)
Nominal Lifetime (h)	50,000 h
Protection Rating	Class III
Installation Area	Internal

Tel: 01635 523 713

Email: sales@kosnic.com

Kosnic.com

