

Condor

08810 CON-P/BLE

Condor Bluetooth PIR sensor Zhaga connector ON/OFF 0-10V

- Standard Zhaga connector
- Max. mounting height of 12m
- Corridor function with dimming output
- Configure with Uni-Remote



Overview

The Zhaga PIR Bluetooth operated Sensor is a complete sensing and lighting control node powered from its attached light fixture. This sensor brings advanced lighting automation to a whole new level.



General Information

Ambient Temperature Range (°C)	-20°C to 60°C
IP Rating	IP65
Protection Rating	Class II
Installation Area	Internal

Technical Summary

Product Code	CON-P/BLE
Input Voltage Supply	12-24Vdc
Weight	0.05Kg
Dimensions (L x W x D) (mm)	43xØ55

Compliance

Others	UKCA, CE, RoHS, WEEE
--------	----------------------

Tel: 01635 523 713

Email: sales@kosnic.com

Kosnic.com



08810 CON-P/BLE

Accessories

Product Code	Description	Type
ECH-RMT	PIR sensor remote control for PIR-ZGA (& Echo 2)	Remote Control

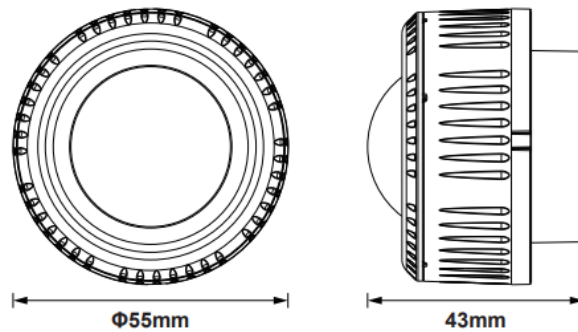
Overview

The Zhaga PIR Bluetooth operated Sensor is a complete sensing and lighting control node powered from its attached light fixture. This sensor brings advanced lighting automation to a whole new level.

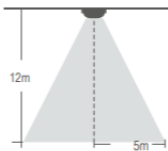


General Information

Ambient Temperature Range (°C)	-20°C to 60°C
IP Rating	IP65
Protection Rating	Class II
Installation Area	Internal



Detection Range



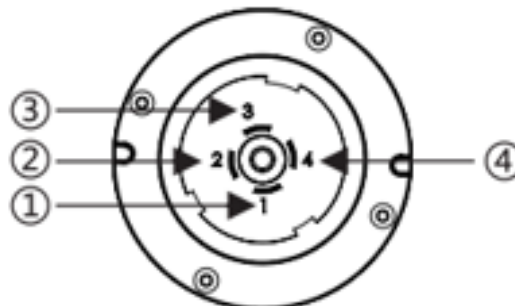
Detection area	Detection radius Walking speed: 1m/s
100%	5m
75%	4m
50%	3m
25%	1.5m

Port 1: 12-24'

Port 2: DIM-

Port 3: NC

Port 4: DIM +



Tel: 01635 523 713

Email: sales@kosnic.com

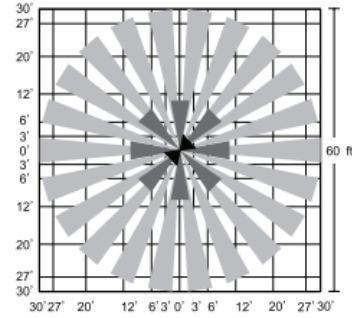
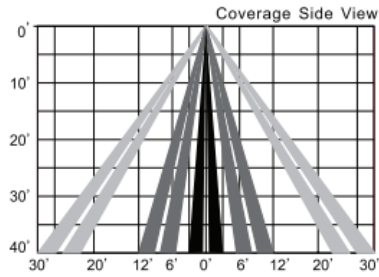
Kosnic.com



08810 CON-P/BLE

Overview

The Zhaga PIR Bluetooth operated Sensor is a complete sensing and lighting control node powered from its attached light fixture. This sensor brings advanced lighting automation to a whole new level.



General Information

Ambient Temperature Range (°C)	-20°C to 60°C
IP Rating	IP65
Protection Rating	Class II
Installation Area	Internal

Tel: 01635 523 713

Email: sales@kosnic.com

Kosnic.com

