

Condor

08809 CON-P

Condor PIR sensor with Zhaga Socket Small lens 10m detection

- Standard Zhaga connector
- Max mounting height of 10m
- Corridor function with dimming output
- Configure with Uni-Remote



Overview

The Zhaga PIR sensor is a complete sensing and lighting control node powered from its attached light fixture. This sensor brings advanced lighting automation to a whole new level.



IP65



General Information

Ambient Temperature Range (°C)	-20°C to 60°C
IP Rating	IP65
Protection Rating	Class II
Installation Area	Internal

Technical Summary

Product Code	CON-P
Input Voltage Supply	12-24Vdc
Weight	0.06Kg
Dimensions (L x W x D) (mm)	36.5xØ64

Compliance

Others	UKCA, CE, RoHS, WEEE
--------	----------------------

Tel: 01635 523 713

Email: sales@kosnic.com

Kosnic.com



08809 CON-P

Accessories

Product Code	Description	Type
RMT-UNI	Universal Remote Control for Kosnic motion sensors	Remote Control

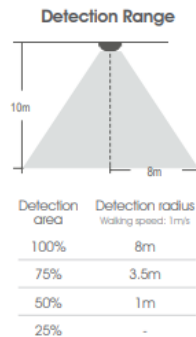
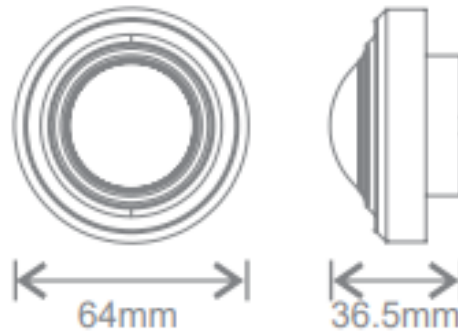
Overview

The Zhaga PIR sensor is a complete sensing and lighting control node powered from its attached light fixture. This sensor brings advanced lighting automation to a whole new level.



General Information

Ambient Temperature Range (°C)	-20°C to 60°C
IP Rating	IP65
Protection Rating	Class II
Installation Area	Internal



Tel: 01635 523 713

Email: sales@kosnic.com

Kosnic.com



08809 CON-P

Overview

The Zhaga PIR sensor is a complete sensing and lighting control node powered from its attached light fixture. This sensor brings advanced lighting automation to a whole new level.

A1 - A2 Hold Time [MIN]	A3 - A4 Daylight Threshold [LUX]	A5 - A6 Stand-By Period [MIN]	A7 - A8 Stand-By Dim Level [%]	B1 - B2 Detection Area [%]	B3 - B4 CCT [K]	B5 - B6 Brightness [%]	B7 User Key	B8 Pair Key
Time stays ON after no motion detected	OFF when ambient light above threshold	Remains dimmed for this period if no motion detected & then turns off	Dimmed level in Stand-By	Sensor detection area/ sensitivity	Correlated colour Temperature	Adjust luminaire brightness	SECURITY SETTINGS	



General Information

Ambient Temperature Range (°C)	-20°C to 60°C
IP Rating	IP65
Protection Rating	Class II
Installation Area	Internal

Tel: 01635 523 713

Email: sales@kosnic.com

Kosnic.com

