

Falco Pro

08803 FALP-P/DV-BLK

Falco Pro P11 Interior PIR Sensor, 1-10V, Black

- Modular design allow both surface and recessed mounting
- Up to 5m mounting height
- All mounting accessories are included
- 360 degree detection range
- Adjustable time delay (10s-7min) and daylight sensitivity by knobs
- Configure with remote control
- Corridor function is available
- Available in black and white

Overview

The Falco P10 Interior PIR Sensor can switch up to 2 kilowatts, and with the ability to be surface or recess mounted makes it a good choice for many applications. The 360-degree detection range, and high mounting height gives it a impressive 10m detection radius.



General Information

Ambient Temperature Range (°C)	-20°C to 40°C
IP Rating	IP20
Protection Rating	Class II
Installation Area	Internal

Technical Summary

Product Code	FALP-P/DV-BLK
Input Voltage Supply	220-240Vac 50/60Hz
Weight	0.16Kg
Dimensions (L x W x D) (mm)	74xØ105
Cut-Out (mm)	65
Ceiling Void (mm)	38 mm

Compliance

Others	UKCA, CE, RoHS, WEEE
--------	----------------------

Tel: 01635 523 713

Email: sales@kosnic.com

Kosnic.com



Falco Pro

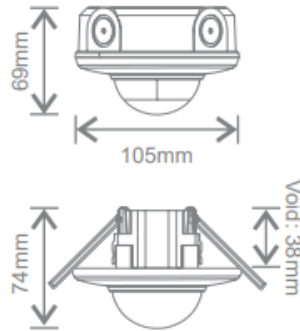
08803 FALP-P/DV-BLK

Accessories

Product Code	Description	Type
RMT-UNI	Universal Remote Control for Kosnic motion sensors	Remote Control

Overview

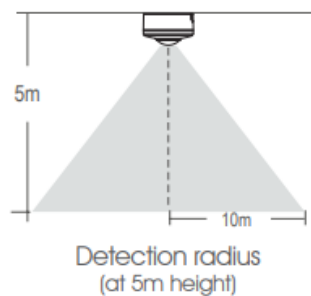
The Falco P10 Interior PIR Sensor can switch up to 2 kilowatts, and with the ability to be surface or recess mounted makes it a good choice for many applications. The 360-degree detection range, and high mounting height gives it an impressive 10m detection radius.



General Information

Ambient Temperature Range (°C)	-20°C to 40°C
IP Rating	IP20
Protection Rating	Class II
Installation Area	Internal

Detection Range



Tel: 01635 523 713

Email: sales@kosnic.com

Kosnic.com



Falco Pro

08803 FALP-P/DV-BLK

Overview

The Falco P10 Interior PIR Sensor can switch up to 2 kilowatts, and with the ability to be surface or recess mounted makes it a good choice for many applications. The 360-degree detection range, and high mounting height gives it a impressive 10m detection radius.

A1 - A2 Hold Time [MIN]	A3 - A4 Daylight Threshold [LUX]	A5 - A6 Stand-By Period [MIN]	A7 - A8 Stand- By Dim Level [%]	B1 - B2 Detection Area [%]	B3 - B4 CCT [K]	B5 - B6 Brightness [%]	B7 User Key	B8 Pair Key
Time stays ON after no motion detected	OFF when ambient light above threshold	Remains dimmed for this period if no motion detected & then turns off	Dimmed level in Stand-By	Sensor detection area/ sensitivity	Correlated colour Temperature	Adjust luminaire brightness	SECURITY SETTINGS	



General Information

Ambient Temperature Range (°C)	-20°C to 40°C
IP Rating	IP20
Protection Rating	Class II
Installation Area	Internal

Tel: 01635 523 713

Email: sales@kosnic.com

Kosnic.com

