

Falco P10 Interior PIR Sensor

08801 FAL-P-BLK

Falco P10 Interior 2in1 surface&recessed on/off PIR Sensor, Black

- Modular design allow both surface and recessed mounting
- Up to 4m mounting height
- All mounting accessories are included
- 360 degree detection range
- Adjustable time delay (10s-7min) and daylight sensitivity
- Available in black and white

Overview

The Falco P10 Interior PIR Sensor can switch up to 2 kilowatts, and with the ability to be surface or recess mounted makes it a good choice for many applications. The 360-degree detection range, and high mounting height gives it a impressive 8m detection radius.



General Information

Ambient Temperature Range (°C)	-20°C to 40°C
IP Rating	IP20
Protection Rating	Class II
Installation Area	Internal

Technical Summary

Product Code	FAL-P-BLK
Input Voltage Supply	220-240Vac 50/60Hz
Weight	0.1Kg
Dimensions (L x W x D) (mm)	66 depth Ø74 (Recessed mount, 45 void), 47 depth Ø74 (Surface mount)
Cut-Out (mm)	Ø59mm
Ceiling Void (mm)	45 mm

Compliance

LVD	EN 60669-1:2018, EN 60669-2-1:2004+A1:2009+A12:2010
EMC	EN 55015:2019+A11:2020, EN 61000-3-2:2019+A1:2021, EN 61000-3-3:2013+A1:2019+A2:2021, EN 61547:2023
Others	UKCA, CE, RoHS, WEEE

Tel: 01635 523 713

Email: sales@kosnic.com

Kosnic.com



Falco P10 Interior PIR Sensor

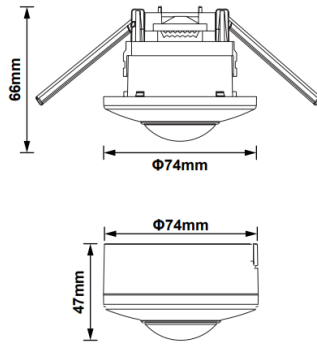
08801 FAL-P-BLK

Accessories

Product Code	Description	Type
RMT-UNI	Universal Remote Control for Kosnic motion sensors	Remote Control

Overview

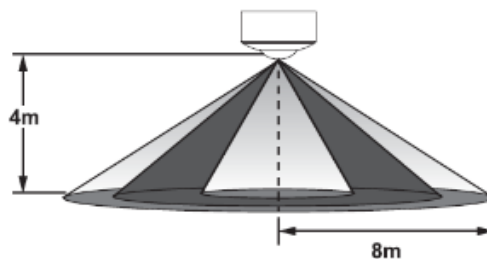
The Falco P10 Interior PIR Sensor can switch up to 2 kilowatts, and with the ability to be surface or recess mounted makes it a good choice for many applications. The 360-degree detection range, and high mounting height gives it an impressive 8m detection radius.



General Information

Ambient Temperature Range (°C)	-20°C to 40°C
IP Rating	IP20
Protection Rating	Class II
Installation Area	Internal

Detection range



Tel: 01635 523 713

Email: sales@kosnic.com

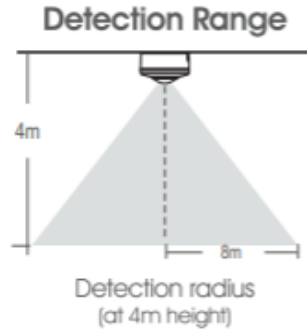
Kosnic.com



08801 FAL-P-BLK

Overview

The Falco P10 Interior PIR Sensor can switch up to 2 kilowatts, and with the ability to be surface or recess mounted makes it a good choice for many applications. The 360-degree detection range, and high mounting height gives it a impressive 8m detection radius.



IP20



General Information

Ambient Temperature Range (°C) -20°C to 40°C

Temperature Range (°C)

IP Rating IP20

Protection Rating Class II

Installation Area Internal

Installation Area

Installation Area

Installation Area

Tel: 01635 523 713

Email: sales@kosnic.com

Kosnic.com

