

Mauna 3 Anti-Glare

08742 MAU307AG

Mauna 3 Anti-glare fire rated Downlight 5W/7W switchable

- Switchable wattage and CCT (2700/3000/4000/6000k)
- Optional PIR sensors compatible with Uni-Remote
- Optional add-on emergency kits, available in standard and self-test
- Integrated dimmable driver
- Interchangeable magnetic bezels with different finishes
- Can be installed under insulation layer
- Compact size with void of 60mm
- White and satin chrome bezel included
- Coloured LENNEL push-wire terminals



Overview

The Mauna Plus range as well as having the fire rating, can be installed under insulation and low void clearance. With wattage switching and CCT options. Also, anti-glare and tilting options available. With the magnetic bezels the Mauna III Plus range doesn't put functionality at the cost of aesthetics.



IP65



General Information

Ambient Temperature Range (°C)	-30°C to 50°C
IK Rating	IK07
IP Rating	IP65
Materials	Housing: Zinc coated sheet steel + PC
Protection Rating	Class I
Installation Area	Internal
L80B10 Lifetime (h) @Ta 25 °C	77,000 h

Compliance

LVD	EN 60598-1:2024, EN 60598-2-2:2012, EN 62471:2008, EN 62493:2015+A1:2022
EMC	EN 55015:2019+A11:2020, EN 61000-3-2:2019+A1:2021, EN 61000-3-3:2013+A1:2019+A2:2021, EN 61547:2023
Others	UKCA, CE, RoHS, WEEE

Technical Summary

Product Code	MAU307AG
Input Voltage Supply	220-240Vac 50/60Hz
Inrush Current (peak/duration) (A)	2A 300µs
Fire Rating	30m I Joist, 60m I Joist, 90m Solid Joist
Settable Wattages	5W, 7W
Driver Code/Part number	DR06C94 (Radiant)
Driver Maximum Power (W)	5.9
Driver Output Current (mA)	70 (5W), 94 (7W)
Power Factor	0.90(7W) 0.88(5W)
Driver Power Factor	≥0.85
Settable Colour Temperatures	2700K, 3000K, 4000K, 6000K
SDCM of CCT	<6
CRI	82
Dimmable	Y
Flicker	<1%
Lumens Output Maximum	600 lm
L70B50 Lifetime (h) @Ta 25 °C	122,000 h
L80B10 Lifetime (h) @Ta 25 °C	77,000 h
L90B10 Lifetime (h) @Ta 25 °C	37,000 h
Nominal Lifetime (h)	50,000 h
Glow wire temperature(°C)	650
Blue Light Hazard	RG1
Weight	0.25Kg
Dimensions (L x W x D) (mm)	62xØ91
Cut-Out (mm)	74mm
Ceiling Void (mm)	60 mm
Beam Angle - Lumi (°)	55
LS Energy Efficiency Class	G

Tel: 01635 523 713

Email: sales@kosnic.com

Kosnic.com



Mauna 3 Anti-Glare

08742 MAU307AG

Overview

The Mauna Plus range as well as having the fire rating, can be installed under insulation and low void clearance. With wattage switching and CCT options. Also, anti-glare and tilting options available. With the magnetic bezels the Mauna III Plus range doesn't put functionality at the cost of aesthetics.



IP65



General Information

Ambient Temperature Range (°C)	-30°C to 50°C
IK Rating	IK07
IP Rating	IP65
Materials	Housing: Zinc coated sheet steel + PC
Nominal Lifetime (h)	50,000 h
Protection Rating	Class I
Installation Area	Internal

Optional Gear

Product Code	Description	Type
CYDIMRFT1	RF controlled triac dimmer	Dimmable Driver
EMPAD01	Neka Emergency Downlight kit 2.5W Manual test	Emergency Module
EMPAD01/SST	Neka Duo Emergency Downlight kit 2.5W Manual & Self-test	Emergency Kit
MAUPIR	Mauna fire rated recessed PIR ON/OFF sensor	PIR Sensor
MAUPIR/D	Mauna fire rated PIR sensor phase-cut dim output	PIR Sensor
RMT-UNI	Universal Remote Control for Kosnic motion sensors	Remote Control

Accessories

Product Code	Description	Type
MAUBZT-SCH	Mauna Plus Tilt round bezel satin chrome	Bezel
MAUBZT-ABR	Mauna Plus Tilt round bezel Antique brass	Bezel
MAUBZT-CHM	Mauna Plus Tilt round bezel chrome	Bezel
MAUBZT-WHT	Mauna Plus Tilt round bezel white	Bezel
MAUBZT-BLK	Mauna Plus Tilt round bezel black	Bezel
MAUBZT-BAS	Mauna Plus Tilt round bezel brass	Bezel
MAUBZT-BBR	Mauna 2 Plus Tilt round bezel brushed brass	Bezel
MAUBZT-BNI	Mauna 2 Plus Tilt round bezel Black Nickel	Bezel
MAUBZT-AGR	Mauna 2 Plus Tilt round bezel Anthracite Grey	Bezel

Power (W)	Current (mA)	CCT (K)	Lumen (lm)	Power Factor
5	25	2700 (Warm White)	400	0.88
5	25	3000 (Warm White)	420	0.88
5	25	4000 (Cool White)	460	0.88
5	25	6000 (Day Light)	450	0.88
7	34	2700 (Warm White)	510	0.9
7	34	3000 (Warm White)	540	0.9
7	34	4000 (Cool White)	600	0.9
7	34	6000 (Day Light)	580	0.9

Tel: 01635 523 713

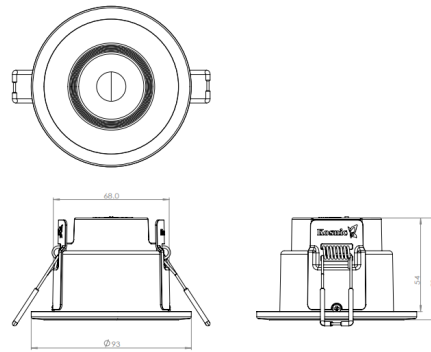
Email: sales@kosnic.com

Kosnic.com



Mauna 3 Anti-Glare

08742 MAU307AG



Overview

The Mauna Plus range as well as having the fire rating, can be installed under insulation and low void clearance. With wattage switching and CCT options. Also, anti-glare and tilting options available. With the magnetic bezels the Mauna III Plus range doesn't put functionality at the cost of aesthetics.

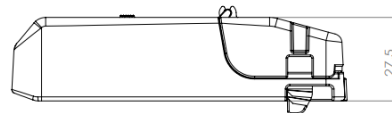
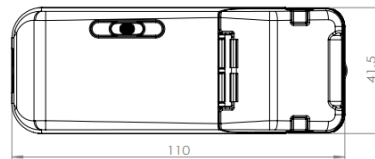


IP65



General Information

Ambient Temperature Range (°C)	-30°C to 50°C
IK Rating	IK07
IP Rating	IP65
Materials	Housing: Zinc coated sheet steel + PC
Nominal Lifetime (h)	50,000 h
Protection Rating	Class I
Installation Area	Internal



Tel: 01635 523 713

Email: sales@kosnic.com

Kosnic.com

