

Cirrus 3

08715 CIR3150-W50

Cirrus 3 90W/120W/150W wattage switchable, 5000K

- High efficiency up to 160lm/W
- Optional plug-in emergency modules, available in standard, self-test and DALI
- Wattage switching at the side of high bay
- Die-cast aluminium body
- IP65 & vandal resistance IK10



Overview

The Kosnic Circular High Bay LED luminaires offer energy savings and high performance, replacing conventional lighting in general industrial areas, manufacturing, warehousing, leisure facilities and retail environments.



General Information

Ambient Temperature Range (°C)	-20°C to 50°C
IK Rating	IK10
IP Rating	IP65
Materials	Housing: Die-cast aluminium
Protection Rating	Class I
Installation Area	Internal
L80B10 Lifetime (h) @Ta 25 °C	103,000 h

Compliance

LVD	EN 60598-1:2024, EN 60598-2-1:2021
EMC	EN 55015:2019+A11:2020, EN 61000-3-2:2019+A1:2021, EN 61000-3-3:2013+A1:2019+A2:2021, EN 61547:2023
Others	UKCA, CE, RoHS, WEEE

Technical Summary

Product Code	CIR3150-W50
Input Voltage Supply	220-240Vac 50/60Hz
Inrush Current (peak/duration) (A)	80A/350us
Settable Wattages	90W, 120W, 150W
Driver Code/Part number	LF-FHB150YEIV 5B (LiFud)
Driver Maximum Power (W)	150
Driver Output Current (mA)	620
Power Factor	0.95
Driver Power Factor	≥0.9
Default CCT	5,000 K
SDCM of CCT	<6
CRI	82
Dimmable	N
Flicker	<1%
Lumens Output Maximum	22,500 lm
Maintained Luminous Flux	1,000 lm
L70B50 Lifetime (h) @Ta 25 °C	162,000 h
L80B10 Lifetime (h) @Ta 25 °C	103,000 h
L90B10 Lifetime (h) @Ta 25 °C	50,000 h
Nominal Lifetime (h)	50,000 h
Glow wire temperature(°C)	650
Blue Light Hazard	RG1
Weight	1.5Kg
Dimensions (L x W x D) (mm)	140xØ250
Beam Angle - Lumi (°)	90
LS Energy Efficiency Class	D

Tel: 01635 523 713

Email: sales@kosnic.com

Kosnic.com



08715 CIR3150-W50

Optional Gear

Product Code	Description	Type
EMHB10	Emergency Module 10W Manual for Kosnic Highbays	Emergency Module
EMHB10/SST	Emergency Module Duo10W Manual&Self-test for Kosnic Highbays	Emergency Module
EMHB10/DA	Emergency Module 10W DALI for Kosnic Highbays	Emergency Module
EMHB05/SST	Emergency Module Duo 5W Manual&Self-test for Kosnic Highbays	Emergency Module
EMHB05/DA	Emergency Module 5W DALI-2 & Self-test for Kosnic Highbays	Emergency Module

Power (W)	Current (mA)	Lumen (lm)
90	412	14400
120	549	18000
150	686	22500

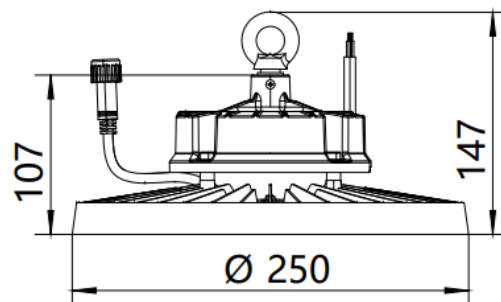
Overview

The Kosnic Circular High Bay LED luminaires offer energy savings and high performance, replacing conventional lighting in general industrial areas, manufacturing, warehousing, leisure facilities and retail environments.



General Information

Ambient Temperature Range (°C)	-20°C to 50°C
IK Rating	IK10
IP Rating	IP65
Materials	Housing: Die-cast aluminium
Nominal Lifetime (h)	50,000 h
Protection Rating	Class I
Installation Area	Internal



Tel: 01635 523 713

Email: sales@kosnic.com

Kosnic.com

