

7 7 Years
Product Warranty
UK Only

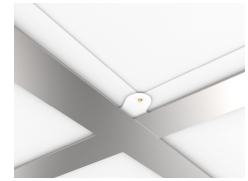
2 2 Years
On-Site Warranty
Main-land UK Only

UEM Pro 2 in 1

08622 UEM04/SST

Universal Emergency Module Pro Duo 4W Standard/Self Test

- Select manual or self-test mode via the internal dual-mode DIP switch
- To adjust green LED indicator brightness, press and hold the test button for more than 3 seconds
- To set the duration test interval, press the push switch twice
- Built-in loop-in loop-out terminals for 2 x 3-core cables
- Built-in cable clamp with push to release button
- Automatic Self-test conforming to BS-EN-62034
- Designed for use with all LED luminaires (class III) with external driver
- Easy Plug & Play installation and battery replacement
- For maintained or non-maintained emergency lighting systems
- Internal Li-ion battery with improved lifespan



Overview

The Universal Emergency Module (UEM) Pro Duo with Standard and Self-Test (AST) is suitable for luminaires with integrated LEDs and separate LED drivers. Provides an operation time of three hours. The UEM can be installed within a luminaire or within the ceiling void.



General Information

IP Rating	IP20
Installation Area	Internal
UEM/EME Protection	Class II

Technical Summary	
Product Code	UEM04/SST
Dimensions (L x W x D) (mm)	211x91x32
UEM/EME Battery Life	4 y
UEM/EME Input Voltage	220-240Vac 50/60Hz
UEM/EME Ambient Temperature Range	0°C to 45°C
UEM/EME Test Function	Standard / Self Test
UEM/EME Protection	Class II
UEM/EME Weight	0.37 kg
UEM/EME Battery Output Wattage (max)	4 W
UEM/EME Dimensions (L x W x D) (mm)	211x91x32
UEM/EME Emergency Operation Test	Automatic and Manual

Compliance

LVD	EN 61347-1:2015+A1:2021, EN 61347-2-7:2012+A1:2021, EN 62493:2015+A1:2022
EMC	EN 55015:2019+A11:2020, EN 61000-3-2:2019+A1:2021, EN 61000-3-3:2013+A1:2019+A2:2021, EN 61547:2023
Others	UKCA, CE, RoHS, WEEE, REACH

Tel: 01635 523 713

Email: sales@kosnic.com

Kosnic.com



Kosnic Lighting KosnicUK KosnicLightingUK

7 7 Years
Product Warranty
UK Only

2 2 Years
On-Site Warranty
Main-land UK Only



UEM Pro 2 in 1

08622 UEM04/SST

Accessories

Product Code	Description
BATS26LI2	Battery Li-ion 7.3V 2600mAH with temp. sensor for UEM Pro

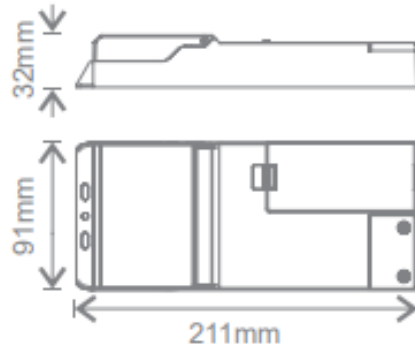
Overview

The Universal Emergency Module (UEM) Pro Duo with Standard and Self-Test (AST) is suitable for luminaires with integrated LEDs and separate LED drivers. Provides an operation time of three hours. The UEM can be installed within a luminaire or within the ceiling void.



General Information

IP Rating	IP20
Installation Area	Internal
UEM/EME Protection	Class II



Healthy Statuses:

- — System Healthy
- * — 1/2 s — Duration Test Pending
- * — 1/4 s — Duration Test Running
- * — 1/8 s — Functional Test Running

Symbols explained: ● ● Continuous On * * Flash — On - - - - Off

Faults & Warning:

- — Battery Charging Fault / Not Connected
- * — 1/4 s — Battery Duration Fault
- * — 1/8 s — Lamp or Luminaire Fault
- * * — 5 s — 1 s — Installation Fault Warning

Tel: 01635 523 713

Email: sales@kosnic.com

Kosnic.com



Kosnic Lighting KosnicUK KosnicLightingUK KosnicUK