

Reon PAR

08384 P3811D-ESS27

REON Dimmable 11W PAR38 E27 30 degree 2700K

- Save energy by up to 90%
- Long life of 15,000hrs
- Replacement for incandescent R63, R80
- Negligible UV output



Overview

The Reon LED PAR38 lamps offer huge energy savings over halogen lamps without compromising on brightness. The lamps can quickly replace halogen products in accent and general lighting applications, and once in place rapid payback is achieved.



General Information

Ambient Temperature Range (°C) -20°C to 40°C
Installation Area Internal

Technical Summary

Product Code	P3811D-ESS27
Input Voltage Supply	220-240Vac 50/60Hz
Default Power	11 W
Power Factor	0.60
Default CCT	2,700 K
CRI	≥82
Dimmable	Y
Lumens Output Maximum	1,000 lm
Maximum Efficiency	91 lm/W
L70B50 Lifetime (h) @Ta 25 °C	15,000 h
Glow wire temperature(°C)	650
Blue Light Hazard	RG1
Weight	0.202Kg
Dimensions (L x W x D) (mm)	139xØ120
LS Energy Efficiency Class	F

Compliance

Others UKCA, CE, RoHS, WEEE

Tel: 01635 523 713

Email: sales@kosnic.com

Kosnic.com



Kosnic Lighting KosnicUK KosnicLightingUK

08384 P3811D-ESS27

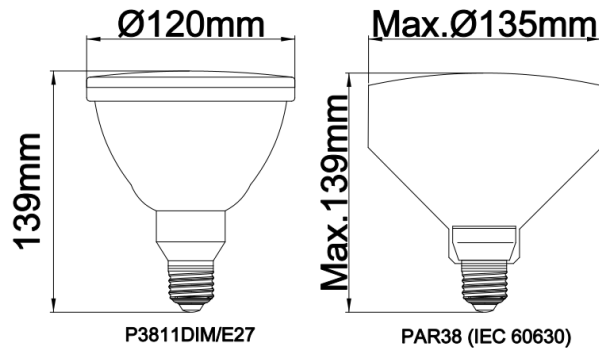
Overview

The Reon LED PAR38 lamps offer huge energy savings over halogen lamps without compromising on brightness. The lamps can quickly replace halogen products in accent and general lighting applications, and once in place rapid payback is achieved.



General Information

Ambient Temperature Range (°C)	-20°C to 40°C
Installation Area	Internal



Tel: 01635 523 713

Email: sales@kosnic.com

Kosnic.com

