

# Reon PAR

08382 P2007D-ESS27

## REON Dimmable 7W PAR20 E27 36° 2700K

- Save energy by up to 90%
- Long life of 15,000hrs
- Replacement for incandescent R63, R80
- Negligible UV output



### Overview

The Reon LED PAR20 lamps offer huge energy savings over halogen lamps without compromising on brightness. The lamps can quickly replace halogen products in accent and general lighting applications, and once in place rapid payback is achieved.



### General Information

Ambient Temperature Range (°C) -20°C to 40°C  
Installation Area Internal

### Technical Summary

Product Code	P2007D-ESS27
Input Voltage Supply	220-240Vac 50/60Hz
Default Power	7 W
Power Factor	0.60
Default CCT	2,700 K
CRI	≥82
Dimmable	Y
Lumens Output Maximum	570 lm
Maximum Efficiency	81 lm/W
L70B50 Lifetime (h) @Ta 25 °C	15,000 h
Glow wire temperature(°C)	650
Blue Light Hazard	RG1
Weight	0.1Kg
Dimensions (L x W x D) (mm)	90xØ63
LS Energy Efficiency Class	G

### Compliance

Others UKCA, CE, RoHS, WEEE

Tel: 01635 523 713

Email: sales@kosnic.com

Kosnic.com



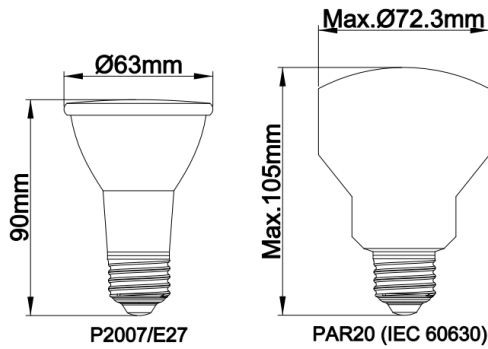
Kosnic Lighting KosnicUK KosnicLightingUK

# Reon PAR

08382 P2007D-ESS27

## Overview

The Reon LED PAR20 lamps offer huge energy savings over halogen lamps without compromising on brightness. The lamps can quickly replace halogen products in accent and general lighting applications, and once in place rapid payback is achieved.



## General Information

Ambient Temperature Range (°C)	-20°C to 40°C
Installation Area	Internal

Tel: 01635 523 713

Email: [sales@kosnic.com](mailto:sales@kosnic.com)

[Kosnic.com](http://Kosnic.com)

