

7 7 Years
Product Warranty
UK Only

2 2 Years
On-Site Warranty
Main-land UK Only



Echo 3

08228 ECH3200-W50

Echo 3 Circular Highbay 100/150/200W 5000K

- High efficiency of 170lm/W
- Diecast aluminium
- Dimmable via a wired 1-10v dimmer switch
- IP65 & vandal resistant (IK10)
- Optional reflectors on all models
- Wattage switching at the side of high bay
- Optional plug-in emergency modules, available in manual, self-test and DALI
- Optional plug-in microwave corridor sensor compatible with Uni-Remote

Overview

The Echo 3 provides a high efficiency of 145lm/W or a range of wattage options and 1-10v dimming for further control. The IP65 rating and range of shades means the Echo III is suited for a range of areas both internal and external, with optional emergency gear if needed.



IP65



General Information

| | |
|--------------------------------|-----------------------|
| Ambient Temperature Range (°C) | -20°C to 50°C |
| IK Rating | IK10 |
| IP Rating | IP65 |
| Protection Rating | Class I |
| Installation Area | Internal and External |
| L80B10 Lifetime (h) @Ta 25 °C | 87,000 h |

Compliance

| | |
|--------|---|
| LVD | EN 60598-1:2024, EN 60598-2-1:2021, EN 62493:2015+A1:2022 |
| EMC | EN 55015:2019+A11:2020, EN 61000-3-2:2019+A1:2021, EN 61000-3-3:2013+A1:2019+A2:2021, EN 61547:2023 |
| Others | UKCA, CE, RoHS, WEEE |

Technical Summary

| | |
|------------------------------------|--------------------|
| Product Code | ECH3200-W50 |
| Input Voltage Supply | 220-240Vac 50/60Hz |
| Inrush Current (peak/duration) (A) | 100A/300µs |
| Settable Wattages | 100W, 150W, 200W |
| Driver Code/Part number | Sosen |
| Power Factor | 0.98 |
| Default CCT | 5,000 K |
| SDCM of CCT | <6 |
| CRI | ≥82 |
| Dimmable | N |
| Flicker | <1% |
| Lumens Output Maximum | 30,000 lm |
| Maximum Efficiency | 150 lm/W |
| Emergency Luminous Flux | 900 lm |
| L70B50 Lifetime (h) @Ta 25 °C | 138,000 h |
| L80B10 Lifetime (h) @Ta 25 °C | 87,000 h |
| L90B10 Lifetime (h) @Ta 25 °C | 41,000 h |
| Nominal Lifetime (h) | 50,000 h |
| Glow wire temperature(°C) | 650 |
| Blue Light Hazard | RG1 |
| Weight | 2.55Kg |
| Dimensions (L x W x D) (mm) | 164xØ298 |
| Beam Angle - Lumi (°) | 90 |
| LS Energy Efficiency Class | D |

Tel: 01635 523 713

Email: sales@kosnic.com

Kosnic.com



Kosnic Lighting KosnicUK KosnicLightingUK

7 7 Years
Product Warranty
UK Only

2 2 Years
On-Site Warranty
Main-land UK Only

Echo 3



08228 ECH3200-W50

Overview

The Echo 3 provides a high efficiency of 145lm/W or a range of wattage options and 1-10v dimming for further control. The IP65 rating and range of shades means the Echo III is suited for a range of areas both internal and external, with optional emergency gear if needed.



IP65



General Information

| | |
|--------------------------------|-----------------------|
| Ambient Temperature Range (°C) | -20°C to 50°C |
| IK Rating | IK10 |
| IP Rating | IP65 |
| Nominal Lifetime (h) | 50,000 h |
| Protection Rating | Class I |
| Installation Area | Internal and External |

Optional Gear

| Product Code | Description | Type |
|--------------|--|----------------------------|
| EMHB08/ST | Emergency Module 8W Self-test for Kosnic Highbays | Self-test Emergency Module |
| EMHB08 | Emergency Module 8W Manual for Kosnic Highbays | Emergency Module |
| EMHB10 | Emergency Module 10W Manual for Kosnic Highbays | Emergency Module |
| EMHB10/ST | Emergency Module 10W Self-test for Kosnic Highbays | Self-test Emergency Module |
| ECH-RMT | PIR sensor remote control for PIR-ZGA (& Echo 2) | Remote Control |
| EMHB10/DA | Emergency Module 10W DALI for Kosnic Highbays | Emergency Module |
| PIR-ZGA | PIR sensor with Zhaga connector with ON/OFF 0-10V Dimming | PIR Sensor |
| MWS-ZGA | Zhaga microwave motion sensor, 1-10V dim output | Microwave Sensor |
| MWS-RMT | Infrared remote control for microwave sensor, MH10 (for MWS-ZGA) | Remote Control |

Accessories

| Product Code | Description | Type |
|--------------|---|-------|
| ECH-LID | Echo Translucent bottom enclosure Ø404 x 40 mm for ECH-SHD-PC | Shade |
| ECH-SHD-AL | Echo aluminium shade for ECHP160, ECHP200, ECH3P200 | Shade |
| ECH-SHD-PC | Echo, PC bell-shaped shade for ECH150, ECH200 | Shade |

| Settable (Default in Bold) | | Variable | | | |
|----------------------------|-----------------|---------------------------|--------------------------|--------------|---------------------|
| CCT (K) | Rated Power (W) | Maximum Current Draw (mA) | Total Luminous Flux (lm) | Power Factor | Light Source Supply |
| 5000 | 100 | 460 | 15000 | 0.95 | 195Vdc 480mA |
| 5000 | 150 | 690 | 22500 | 0.96 | 195Vdc 720mA |
| 5000 | 200 | 890 | 30000 | 0.98 | 195Vdc 920mA |

Tel: 01635 523 713

Email: sales@kosnic.com

Kosnic.com



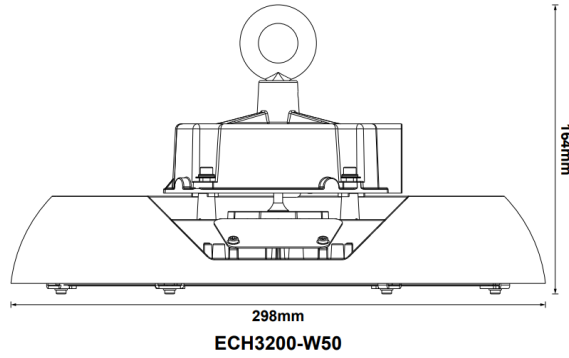
Kosnic Lighting KosnicUK KosnicLightingUK KosnicUK

7 7 Years
Product Warranty
UK Only

2 2 Years
On-Site Warranty
Main-land UK Only

Echo 3

08228 ECH3200-W50



Overview

The Echo 3 provides a high efficiency of 145lm/W or a range of wattage options and 1-10v dimming for further control. The IP65 rating and range of shades means the Echo III is suited for a range of areas both internal and external, with optional emergency gear if needed.



IP65



General Information

| | |
|--------------------------------|-----------------------|
| Ambient Temperature Range (°C) | -20°C to 50°C |
| IK Rating | IK10 |
| IP Rating | IP65 |
| Nominal Lifetime (h) | 50,000 h |
| Protection Rating | Class I |
| Installation Area | Internal and External |

Tel: 01635 523 713

Email: sales@kosnic.com

Kosnic.com

