

**7** 7 Years  
Product Warranty  
UK Only

**2** 2 Years  
On-Site Warranty  
Main-land UK Only



# Echo 3

08227 ECH3150-W50

## Echo 3 Circular Highbay 100/120/150W 5000K

- High efficiency of 170lm/W
- Diecast aluminium
- Dimmable via a wired 1-10v dimmer switch
- IP65 & vandal resistant (IK10)
- Optional reflectors on all models
- Wattage switching at the side of high bay
- Optional plug-in emergency modules, available in manual, self-test and DALI
- Optional plug-in microwave corridor sensor compatible with Uni-Remote

### Overview

The Echo 3 provides a high efficiency of 145lm/W or a range of wattage options and 1-10v dimming for further control. The IP65 rating and range of shades means the Echo III is suited for a range of areas both internal and external, with optional emergency gear if needed.



IP65



### General Information

Ambient Temperature Range (°C)	-20°C to 50°C
IK Rating	IK10
IP Rating	IP65
Protection Rating	Class I
Installation Area	Internal and External
L80B10 Lifetime (h) @Ta 25 °C	87,000 h

### Compliance

LVD	EN 60598-1:2024, EN 60598-2-1:2021, EN 62493:2015+A1:2022
EMC	EN 55015:2019+A11:2020, EN 61000-3-2:2019+A1:2021, EN 61000-3-3:2013+A1:2019+A2:2021, EN 61547:2023
Others	UKCA, CE, RoHS, WEEE

### Technical Summary

Product Code	ECH3150-W50
Input Voltage Supply	220-240Vac 50/60Hz
Inrush Current (peak/duration) (A)	100A/300µs
Settable Wattages	100W, 120W, 150W
Driver Code/Part number	Sosen
Power Factor	0.98
Default CCT	5,000 K
SDCM of CCT	<6
CRI	82
Dimmable	N
Flicker	<1%
Lumens Output Maximum	22,500 lm
Maximum Efficiency	150 lm/W
Emergency Luminous Flux	900 lm
L70B50 Lifetime (h) @Ta 25 °C	138,000 h
L80B10 Lifetime (h) @Ta 25 °C	87,000 h
L90B10 Lifetime (h) @Ta 25 °C	41,000 h
Nominal Lifetime (h)	50,000 h
Glow wire temperature(°C)	650
Blue Light Hazard	RG1
Weight	2.55Kg
Dimensions (L x W x D) (mm)	164xØ259
Beam Angle - Lumi (°)	90
LS Energy Efficiency Class	D

Tel: 01635 523 713

Email: sales@kosnic.com

Kosnic.com



Kosnic Lighting KosnicUK KosnicLightingUK

**7** 7 Years  
Product Warranty  
UK Only

**2** 2 Years  
On-Site Warranty  
Main-land UK Only

# Echo 3

08227 ECH3150-W50

## Overview

The Echo 3 provides a high efficiency of 145lm/W or a range of wattage options and 1-10v dimming for further control. The IP65 rating and range of shades means the Echo III is suited for a range of areas both internal and external, with optional emergency gear if needed.



**IP65**



## General Information

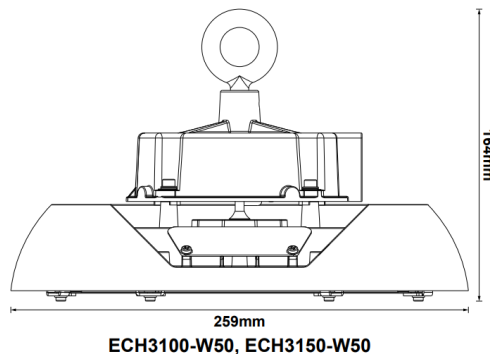
Ambient Temperature Range (°C)	-20°C to 50°C
IK Rating	IK10
IP Rating	IP65
Nominal Lifetime (h)	50,000 h
Protection Rating	Class I
Installation Area	Internal and External

## Optional Gear

Product Code	Description	Type
EMHB08/ST	Emergency Module 8W Self-test for Kosnic Highbays	Self-test Emergency Module
EMHB08	Emergency Module 8W Manual for Kosnic Highbays	Emergency Module
EMHB10	Emergency Module 10W Manual for Kosnic Highbays	Emergency Module
EMHB10/ST	Emergency Module 10W Self-test for Kosnic Highbays	Self-test Emergency Module
ECH-RMT	PIR sensor remote control for PIR-ZGA (& Echo 2)	Remote Control
EMHB10/DA	Emergency Module 10W DALI for Kosnic Highbays	Emergency Module
PIR-ZGA	PIR sensor with Zhaga connector with ON/OFF 0-10V Dimming	PIR Sensor
MWS-ZGA	Zhaga microwave motion sensor, 1-10V dim output	Microwave Sensor
MWS-RMT	Infrared remote control for microwave sensor, MH10 (for MWS-ZGA)	Remote Control

## Accessories

Product Code		Description		Type	
ECH-SHD-PCS		Echo PC bell-shaped shade		Shade	
Settable (Default in Bold)		Variable			
Rated Power (W)	CCT (K)	Maximum Current Draw (mA)	Total Luminous Flux (lm)	Power Factor	Light Source Supply
100	5000	450	15000	0.96	215Vdc 440mA
120	5000	540	18000	0.96	215Vdc 520mA
<b>150</b>	<b>5000</b>	<b>670</b>	<b>22500</b>	<b>0.98</b>	<b>215Vdc 650mA</b>



ECH3100-W50, ECH3150-W50

Tel: 01635 523 713

Email: sales@kosnic.com

Kosnic.com

