

**7** 7 Years  
Product Warranty  
UK Only

**2** 2 Years  
On-Site Warranty  
Main-land UK Only



# Echo 3

08226 ECH3100-W50

## Echo 3 Circular Highbay 100W 5000K

- High efficiency of 170lm/W
- Diecast aluminium
- Dimmable via a wired 1-10v dimmer switch
- IP65 & vandal resistant (IK10)
- Optional reflectors on all models
- Wattage switching at the side of high bay
- Optional plug-in emergency modules, available in manual, self-test and DALI
- Optional plug-in microwave corridor sensor compatible with Uni-Remote

### Overview

The Echo 3 provides a high efficiency of 145lm/W or a range of wattage options and 1-10v dimming for further control. The IP65 rating and range of shades means the Echo III is suited for a range of areas both internal and external, with optional emergency gear if needed.



IP65



### General Information

Ambient Temperature Range (°C)	-20°C to 50°C
IK Rating	IK10
IP Rating	IP65
Protection Rating	Class I
Installation Area	Internal and External
L80B10 Lifetime (h) @Ta 25 °C	87,000 h

### Compliance

LVD	EN 60598-1:2024, EN 60598-2-1:2021, EN 62493:2015+A1:2022
EMC	EN 55015:2019+A11:2020, EN 61000-3-2:2019+A1:2021, EN 61000-3-3:2013+A1:2019+A2:2021, EN 61547:2023
Others	UKCA, CE, RoHS, WEEE

### Technical Summary

Product Code	ECH3100-W50
Input Voltage Supply	220-240Vac 50/60Hz
Inrush Current (peak/duration) (A)	80A/300µs
Default Power	100 W
Driver Code/Part number	Sosen
Power Factor	0.96
Default CCT	5,000 K
SDCM of CCT	<6
CRI	82
Dimmable	N
Flicker	<1%
Lumens Output Maximum	15,000 lm
Maximum Efficiency	150 lm/W
Emergency Luminous Flux	900 lm
L70B50 Lifetime (h) @Ta 25 °C	138,000 h
L80B10 Lifetime (h) @Ta 25 °C	87,000 h
L90B10 Lifetime (h) @Ta 25 °C	41,000 h
Nominal Lifetime (h)	50,000 h
Glow wire temperature(°C)	650
Blue Light Hazard	RG1
Weight	2Kg
Dimensions (L x W x D) (mm)	164xØ259
Beam Angle - Lumi (°)	90
LS Energy Efficiency Class	D

Tel: 01635 523 713

Email: sales@kosnic.com

Kosnic.com



Kosnic Lighting KosnicUK KosnicLightingUK

**7** 7 Years  
Product Warranty  
UK Only

**2** 2 Years  
On-Site Warranty  
Main-land UK Only

# Echo 3

08226 ECH3100-W50

## Overview

The Echo 3 provides a high efficiency of 145lm/W or a range of wattage options and 1-10v dimming for further control. The IP65 rating and range of shades means the Echo III is suited for a range of areas both internal and external, with optional emergency gear if needed.



**IP65**



## General Information

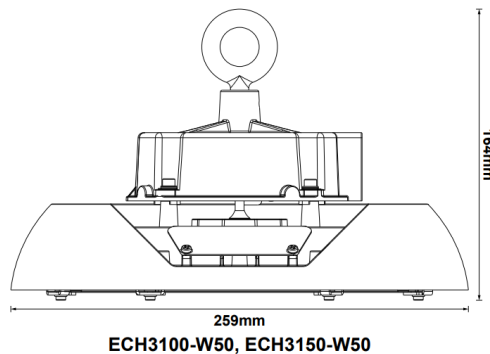
Ambient Temperature Range (°C)	-20°C to 50°C
IK Rating	IK10
IP Rating	IP65
Nominal Lifetime (h)	50,000 h
Protection Rating	Class I
Installation Area	Internal and External

## Optional Gear

Product Code	Description	Type
EMHB08/ST	Emergency Module 8W Self-test for Kosnic Highbays	Self-test Emergency Module
EMHB08	Emergency Module 8W Manual for Kosnic Highbays	Emergency Module
EMHB10	Emergency Module 10W Manual for Kosnic Highbays	Emergency Module
EMHB10/ST	Emergency Module 10W Self-test for Kosnic Highbays	Self-test Emergency Module
ECH-RMT	PIR sensor remote control for PIR-ZGA (& Echo 2)	Remote Control
PIR-ZGA	PIR sensor with Zhaga connector with ON/OFF 0-10V Dimming	PIR Sensor
EMHB10/DA	Emergency Module 10W DALI for Kosnic Highbays	Emergency Module
MWS-ZGA	Zhaga microwave motion sensor, 1-10V dim output	Microwave Sensor
MWS-RMT	Infrared remote control for microwave sensor, MH10 (for MWS-ZGA)	Remote Control

## Accessories

Product Code	Description	Type
ECH-SHD-PCS	Echo PC bell-shaped shade	Shade



Tel: 01635 523 713

Email: [sales@kosnic.com](mailto:sales@kosnic.com)

[Kosnic.com](http://Kosnic.com)

