

Tec Pro (Dim)

08063 TP07D-GUF50

Tec Pro 7W Dimmable GU10 60° 5000K

- Supreme light quality with CRI>90
- Save energy up to 85%
- Higher power and light output
- Great Dimming compatibility
- Direct replacement of GU10 halogen lamp



Overview

The Kosnic Tec Pro GU10 lamps are perfect for home and hospitality settings. The lamps are a direct retrofit for halogen GU10 lamps and deliver the same aesthetics and ambient light, while significantly reduce energy costs. Perfect for hospitality settings such as restaurants, bars and hotels where ambience is required.



General Information

Ambient Temperature Range (°C)	-20°C to 40°C
Installation Area	Internal
L80B10 Lifetime (h) @Ta 25 °C	25,000 h

Compliance

LVD	EN 62031:2020, EN 62493:2015+A1:2022, EN 62560:2012+A11:2019
EMC	EN 55015:2019+A11:2020, EN 61000-3-2:2019+A1:2021, EN 61000-3-3:2013+A1:2019+A2:2021, EN 61547:2023
Others	UKCA, CE, RoHS, WEEE, ANS/IES LM-80/15

Technical Summary

Product Code	TP07D-GUF50
Input Voltage Supply	220-240Vac 50/60Hz
Inrush Current (peak/duration) (A)	12A/10µs
Default Power	7 W
Power Factor	0.86
Default CCT	5,000 K
CRI	95
Dimmable	Y
Lumens Output Maximum	610 lm
Maximum Efficiency	87 lm/W
L70B50 Lifetime (h) @ Ta 25 °C	25,000 h
L80B10 Lifetime (h) @ Ta 25 °C	25,000 h
L90B10 Lifetime (h) @ Ta 25 °C	15,000 h
Nominal Lifetime (h)	25,000 h
Glow wire temperature(°C)	650
Blue Light Hazard	RG1
Weight	0.064Kg
Dimensions (L x W x D) (mm)	57xØ50
LS Energy Efficiency Class	F

Tel: 01635 523 713

Email: sales@kosnic.com

Kosnic.com



Kosnic Lighting KosnicUK KosnicLightingUK

Tec Pro (Dim)

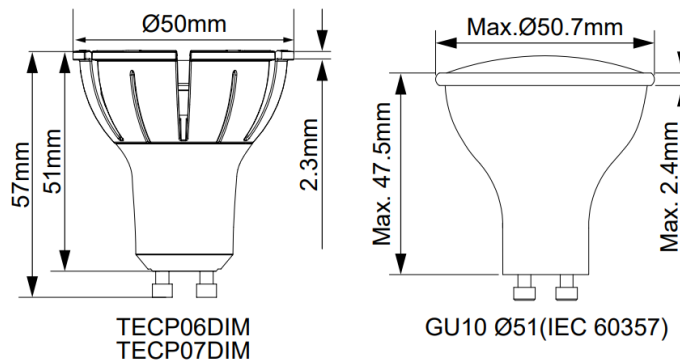
08063 TP07D-GUF50

Accessories

Product Code	Description	Type
CYDIMRFT1	RF controlled triac dimmer	Dimmable Driver

Overview

The Kosnic Tec Pro GU10 lamps are perfect for home and hospitality settings. The lamps are a direct retrofit for halogen GU10 lamps and deliver the same aesthetics and ambient light, while significantly reduce energy costs. Perfect for hospitality settings such as restaurants, bars and hotels where ambience is required.



General Information

Ambient Temperature Range (°C)	-20°C to 40°C
Nominal Lifetime (h)	25,000 h
Installation Area	Internal

Tel: 01635 523 713

Email: sales@kosnic.com

Kosnic.com

