

7 7 Years
Product Warranty
UK Only

2 2 Years
On-Site Warranty
Main-land UK Only

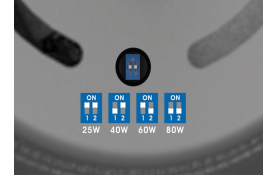


Echo Mini

08046 ECH80-W40

Echo Mini LED Circular Highbay IP65 80W 4000K

- High efficiency up to 162lm/W
- Optional plug-in emergency modules, available in manual, self-test and DALI
- Wattage switching at the side of the high bay
- Diecast aluminium
- IP65 & vandal resistant (IK10)



Overview

The Echo Mini High Bay luminaire provides energy savings and high performance, replacing conventional lighting in general industrial areas, manufacturing, warehousing, leisure facilities and retail environments



IP65



General Information

Ambient Temperature Range (°C)	-20°C to 50°C
IK Rating	IK08
IP Rating	IP65
Materials	Housing Diecast aluminium
Protection Rating	Class I
Installation Area	Internal and External
L80B10 Lifetime (h) @Ta 25 °C	107,000 h

Compliance

LVD	EN 60598-1:2024, EN 60598-2-1:2021, EN 62493:2015+A1:2022
EMC	EN 55015:2019+A11:2020, EN 61000-3-2:2019+A1:2021, EN 61000-3-3:2013+A1:2019+A2:2021, EN 61547:2023
Others	UKCA, CE, RoHS, WEEE

Technical Summary

Product Code	ECH80-W40
Input Voltage Supply	220-240Vac 50/60Hz
Inrush Current (peak/duration) (A)	100A /260us
Settable Wattages	40W, 60W, 80W
Driver Code/Part number	Sosen
Power Factor	0.95
Default CCT	4,000 K
SDCM of CCT	<6
CRI	82
Dimmable	N
Flicker	<1%
Lumens Output Maximum	12,500 lm
Maximum Efficiency	163 lm/W
Maintained Luminous Flux	900 lm
L70B50 Lifetime (h) @ Ta 25 °C	169,000 h
L80B10 Lifetime (h) @ Ta 25 °C	107,000 h
L90B10 Lifetime (h) @ Ta 25 °C	52,000 h
Nominal Lifetime (h)	50,000 h
Glow wire temperature(°C)	650
Blue Light Hazard	RG1
Weight	1.65Kg
Dimensions (L x W x D) (mm)	163xØ229
Beam Angle - Lumi (°)	120
LS Energy Efficiency Class	D

Tel: 01635 523 713

Email: sales@kosnic.com

Kosnic.com



Kosnic Lighting KosnicUK KosnicLightingUK

7 7 Years
Product Warranty
UK Only

2 2 Years
On-Site Warranty
Main-land UK Only

Echo Mini



08046 ECH80-W40

Overview

The Echo Mini High Bay luminaire provides energy savings and high performance, replacing conventional lighting in general industrial areas, manufacturing, warehousing, leisure facilities and retail environments

Optional Gear

Product Code	Description	Type
EMHB10	Emergency Module 10W Manual for Kosnic Highbays	Emergency Module
EMHB10/ST	Emergency Module 10W Self-test for Kosnic Highbays	Self-test Emergency Module
EMHB10/DA	Emergency Module 10W DALI for Kosnic Highbays	Emergency Module

Accessories

Product Code	Description	Type
ECH-SHD-PCM	Echo Mini PC bell-shaped shade for ECH80-W50	Shade

Rated Power (W)	Current (mA)	Power Factor	Total Lumen (lm)
40	205	0.85	6500
60	290	0.90	9400
80	366	0.95	12500

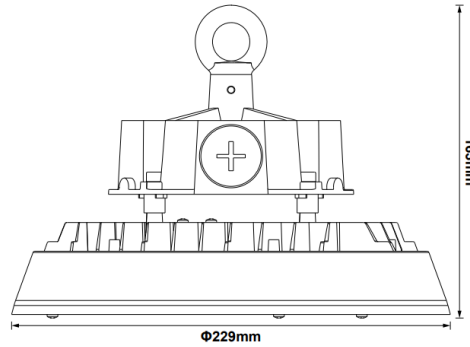


IP65



General Information

Ambient Temperature Range (°C)	-20°C to 50°C
IK Rating	IK08
IP Rating	IP65
Materials	Housing Diecast aluminium
Nominal Lifetime (h)	50,000 h
Protection Rating	Class I
Installation Area	Internal and External



Tel: 01635 523 713

Email: sales@kosnic.com

Kosnic.com



Kosnic Lighting KosnicUK KosnicLightingUK KosnicUK