

## Ely 6W spot light spike & surface mounting 4000K grey

- High efficient with integrated LED
- Options of grey and black finishing
- In-ground mounting spike included
- 120° rotating spot light

### Overview

Ely LED spot light with in-ground mounting spike are made from diecast aluminium with a glass lens. The light is IP65 rated, perfectly suited for commercial and domestic outdoor illumination.



IP65



### General Information

Ambient Temperature Range (°C)	-20°C to 50°C
IK Rating	IK05
IP Rating	IP65
Materials	Housing: Diecast aluminium and Glass
Protection Rating	Class I
Installation Area	External
L80B10 Lifetime (h) @Ta 25 °C	84,000 h

### Compliance

LVD	EN 60598-1:2024, EN 60598-2-1:2021, EN 62493:2015+A1:2022
EMC	EN 55015:2019+A11:2020, EN 61000-3-2:2019+A1:2021, EN 61000-3-3:2013+A1:2019+A2:2021, EN 61547:2023
Others	UKCA, CE, RoHS, WEEE

### Technical Summary

Product Code	ELY06-F40-GRY
Input Voltage Supply	220-240Vac 50/60Hz
Inrush Current (peak/duration) (A)	7.2A/6.9us
Default Power	6 W
Power Factor	0.9
Default CCT	4,000 K
SDCM of CCT	<6
CRI	82
Dimmable	N
Flicker	<5%
Lumens Output Maximum	510 lm
Maximum Efficiency	85 lm/W
L70B50 Lifetime (h) @Ta 25 °C	133,000 h
L80B10 Lifetime (h) @Ta 25 °C	84,000 h
L90B10 Lifetime (h) @Ta 25 °C	40,000 h
Nominal Lifetime (h)	50,000 h
Glow wire temperature(°C)	650
Blue Light Hazard	RG1
Weight	0.594Kg
Dimensions (L x W x D) (mm)	136xØ64
Beam Angle - Lumi (°)	60
LS Energy Efficiency Class	E

Tel: 01635 523 713

Email: sales@kosnic.com

Kosnic.com



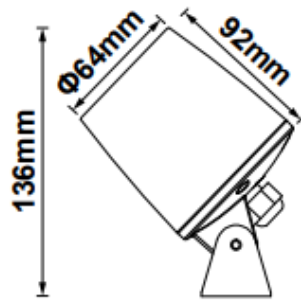
Kosnic Lighting KosnicUK KosnicLightingUK

# Ely

08041 ELY06-F40-GRY

## Overview

Ely LED spot light with in-ground mounting spike are made from diecast aluminum with a glass lens. The light is IP65 rated, perfectly suited for commercial and domestic outdoor illumination.



## General Information

Ambient Temperature Range (°C)	-20°C to 50°C
IK Rating	IK05
IP Rating	IP65
Materials	Housing: Diecast aluminium and Glass
Nominal Lifetime (h)	50,000 h
Protection Rating	Class I
Installation Area	External

Tel: 01635 523 713

Email: [sales@kosnic.com](mailto:sales@kosnic.com)

[Kosnic.com](http://Kosnic.com)

