

**5** 5 Years  
Product Warranty  
UK Only

**2** 2 Years  
On-Site Warranty  
Main-land UK Only

Ogo

07998 OGO32-SCT

Kosnic

## Ogo LED Bulkhead 22/27/32W CCT switchable

- IP54 & vandal resistant (IK08)
- Switchable CCT (3000K/4000K/5000K)
- 3 switchable wattages
- Optional plug-in emergency module
- Optional plug-in microwave sensor with corridor function
- Integrated LED tray
- Available in 2 sizes, diameter of 365mm (18W) and 430mm (32W)



### Overview

The Ogo is a large robust wattage and CCT switchable LED bulkhead with side-light. Optional plug-in emergency and sensor available.



IP54



### General Information

Ambient Temperature Range (°C)	-20°C to 50°C
IK Rating	IK08
IP Rating	IP54
Protection Rating	Class II
Installation Area	Internal and External
L80B10 Lifetime (h) @Ta 25 °C	109,000 h

### Compliance

Others UKCA, CE, RoHS, WEEE

### Technical Summary

Product Code	OGO32-SCT
Input Voltage Supply	220-240Vac 50/60Hz
Inrush Current (peak/duration) (A)	12.9/195 µs
Settable Wattages	22W, 27W, 32W
Power Factor	0.90
Settable Colour Temperatures	3000K, 4000K, 5000K
SDCM of CCT	<6
CRI	82
Dimmable	N
Lumens Output Maximum	3,200 lm
Maximum Efficiency	100 lm/W
Maintained Luminous Flux	80 lm
L70B50 Lifetime (h) @Ta 25 °C	173,000 h
L80B10 Lifetime (h) @Ta 25 °C	109,000 h
L90B10 Lifetime (h) @Ta 25 °C	52,000 h
Nominal Lifetime (h)	50,000 h
Glow wire temperature(°C)	650
Blue Light Hazard	RG1
Weight	1.75Kg
Dimensions (L x W x D) (mm)	110xØ430
LS Energy Efficiency Class	C

Tel: 01635 523 713

Email: sales@kosnic.com

Kosnic.com



Kosnic Lighting KosnicUK

KosnicLightingUK

**5** 5 Years  
Product Warranty  
UK Only

**2** 2 Years  
On-Site Warranty  
Main-land UK Only

Ogo

Kosnic 

07998 OGO32-SCT

## Overview

The Ogo is a large robust wattage and CCT switchable LED bulkhead with side-light. Optional plug-in emergency and sensor available.

## Optional Gear

Product Code	Description	Type
EMDD02	2W standard emergency module for LED DD and bulkhead	Emergency Module
EMDD02/ST	2W self-test emergency module for LED DD and bulkhead	Self-test Emergency Module
RMW-DC	Plug in microwave motion and daylight sensor 12V DC	Microwave Sensor

## Accessories

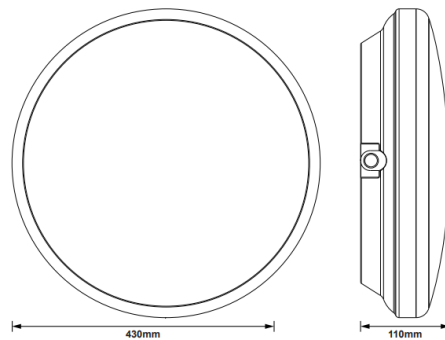
Product Code	Description	Type
RMT-UNI	Universal Remote Control for Kosnic motion sensors	Remote Control

Power (W)	Current (mA)	CCT (K)	Lumen (lm)
22	106	3000 Warm White	2000
22	106	4000 Cool White	2200
22	106	5000 Day Light	2000
27	130	3000 Warm White	2500
27	130	4000 Cool White	2700
27	130	5000 Day Light	2500
32	155	3000 Warm White	2900
32	155	4000 Cool White	3200
32	155	5000 Day Light	2900



## General Information

Ambient Temperature Range (°C)	-20°C to 50°C
IK Rating	IK08
IP Rating	IP54
Nominal Lifetime (h)	50,000 h
Protection Rating	Class II
Installation Area	Internal and External



Tel: 01635 523 713

Email: sales@kosnic.com

Kosnic.com



Kosnic Lighting KosnicUK KosnicLightingUK KosnicUK