

5 5 Years
Product Warranty
UK Only

2 2 Years
On-Site Warranty
Main-land UK Only

Ogo

07997 OGO18-SCT

Kosnic

Ogo LED Bulkhead 12/15/18W CCT switchable

- IP54 & vandal resistant (IK08)
- Optional plug-in microwave corridor sensor compatible with Uni-Remote
- Switchable wattage and CCT (3000K/4000K/5000K)
- Optional plug-in emergency module, available in manual, self-test and DALI
- Optional plug-in DALI conversion module
- Available in 2 sizes, diameter of 365mm (18W) and 430mm (32W)
- IP54 & vandal resistant (IK08)



Overview

The Ogo is a large robust wattage and CCT switchable LED bulkhead with side-light. Optional plug-in emergency and sensor available.



General Information

Ambient Temperature Range (°C)	-20°C to 50°C
IK Rating	IK08
IP Rating	IP54
Protection Rating	Class II
Installation Area	Internal and External
L80B10 Lifetime (h) @Ta 25 °C	109,000 h

Compliance

Others UKCA, CE, RoHS, WEEE

Technical Summary

Product Code	OGO18-SCT
Input Voltage Supply	220-240Vac 50/60Hz
Inrush Current (peak/duration) (A)	6.28/340 µs
Settable Wattages	12W, 15W, 18W
Power Factor	0.90
Settable Colour Temperatures	3000K, 4000K, 5000K
SDCM of CCT	<6
CRI	82
Dimmable	N
Lumens Output Maximum	1,800 lm
Maximum Efficiency	100 lm/W
Maintained Luminous Flux	80 lm
L70B50 Lifetime (h) @Ta 25 °C	173,000 h
L80B10 Lifetime (h) @Ta 25 °C	109,000 h
L90B10 Lifetime (h) @Ta 25 °C	52,000 h
Nominal Lifetime (h)	50,000 h
Glow wire temperature(°C)	650
Blue Light Hazard	RG1
Weight	1.34Kg
Dimensions (L x W x D) (mm)	110xØ365
LS Energy Efficiency Class	C

Tel: 01635 523 713

Email: sales@kosnic.com

Kosnic.com



Kosnic Lighting KosnicUK KosnicLightingUK

5 5 Years
Product Warranty
UK Only

2 2 Years
On-Site Warranty
Main-land UK Only

Ogo

Kosnic 

07997 OGO18-SCT

Overview

The Ogo is a large robust wattage and CCT switchable LED bulkhead with side-light. Optional plug-in emergency and sensor available.

Optional Gear

Product Code	Description	Type
EMDD02	2W standard emergency module for LED DD and bulkhead	Emergency Module
EMDD02/ST	2W self-test emergency module for LED DD and bulkhead	Self-test Emergency Module
RMW-DC	Plug in microwave motion and daylight sensor 12V DC	Microwave Sensor

Accessories

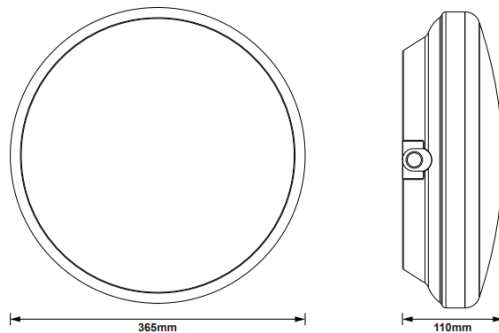
Product Code	Description	Type
RMT-UNI	Universal Remote Control for Kosnic motion sensors	Remote Control

Power (W)	CCT (K)	Current (mA)	Lumen (lm)
12	3000 Warm White	58	1100
12	4000 Cool White	58	1200
12	5000 Day Light	58	1100
15	3000 Warm White	72	1400
15	4000 Cool White	72	1500
15	5000 Day Light	72	1400
18	3000 Warm White	87	1700
18	4000 Cool White	87	1800
18	5000 Day Light	87	1700



General Information

Ambient Temperature Range (°C)	-20°C to 50°C
IK Rating	IK08
IP Rating	IP54
Nominal Lifetime (h)	50,000 h
Protection Rating	Class II
Installation Area	Internal and External



Tel: 01635 523 713

Email: sales@kosnic.com

Kosnic.com



Kosnic Lighting KosnicUK KosnicLightingUK KosnicUK