

5 5 Years
Product Warranty
UK Only

3 3 Years
On-Site Warranty
Main-land UK Only



DD 2 Dimmable

07948 DD212DIM/4P-SCT

LED DD 2 Dimmable 4pin 6/8/10/12W 2700/4000/6500K

- Wattage switchable 6W/8W/10W/12W
- Save energy by up to 65%
- Colour temperature switchable 2700K/4000K/6500K
- Dimmable with mains triac dimmer switch
- Optional plug-in emergency modules, available in manual, self-test and DALI
- High efficiency up to 145lm/W



Overview

Kosnic's Dimmable LED DD lamps take a fresh approach to functional lighting bringing dimmable energy saving LED technology in a DD lamp format.

IP20



General Information

Ambient Temperature Range (°C)	-20°C to 40°C
IP Rating	IP20
Installation Area	Internal

Compliance

LVD	EN 62031:2020, EN 62493:2015+A1:2022
EMC	EN 55015:2019+A11:2020, EN 61000-3-2:2019+A1:2021, EN 61000-3-3:2013+A1:2019+A2:2021, EN 61547:2023
Others	UKCA, CE, RoHS, WEEE

Technical Summary

Product Code	DD212DIM/4P-SCT
Input Voltage Supply	220-240Vac 50/60Hz
Inrush Current (peak/duration) (A)	2 A / 40 µs
Settable Wattages	6W, 8W, 10W, 12W
Power Factor	0.98
Settable Colour Temperatures	2700K, 4000K, 6500K
SDCM of CCT	<6
CRI	82
Dimmable	Y
Flicker	<2%
Lumens Output Maximum	1,720 lm
Maximum Efficiency	145 lm/W
L70B50 Lifetime (h) @Ta 25 °C	30,000 h
Nominal Lifetime (h)	30,000 h
Glow wire temperature(°C)	650
Blue Light Hazard	RG1
Weight	0.14Kg
Dimensions (L x W x D) (mm)	150x150x35
Beam Angle - Lumi (°)	120
LS Energy Efficiency Class	D

Tel: 01635 523 713

Email: sales@kosnic.com

Kosnic.com



Kosnic Lighting KosnicUK KosnicLightingUK

5 5 Years
Product Warranty
UK Only

3 3 Years
On-Site Warranty
Main-land UK Only

DD 2 Dimmable

07948 DD212DIM/4P-SCT

Accessories

Product Code	Description	Type
DDLAMPHLD	LED DD Lamp holder for 4pin GR10q	Housing

Power (W)	Current (mA)	CCT (K)	Lumen (lm)
6	27	2700	780
6	27	4000	830
6	27	6500	820
8	36	2700	1060
8	36	4000	1150
8	36	6500	1120
10	44	2700	1330
10	44	4000	1450
10	44	6500	1390
12	53	2700	1550
12	53	4000	1720
12	53	6500	1630

Overview

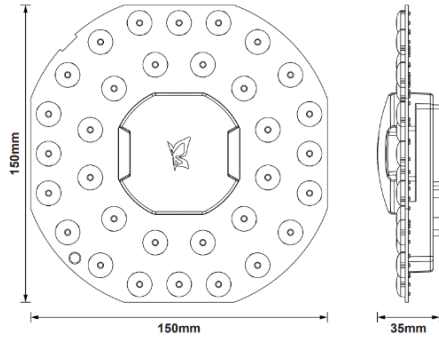
Kosnic's Dimmable LED DD lamps take a fresh approach to functional lighting bringing dimmable energy saving LED technology in a DD lamp format.

IP20



General Information

Ambient Temperature Range (°C)	-20°C to 40°C
IP Rating	IP20
Nominal Lifetime (h)	30,000 h
Installation Area	Internal



Tel: 01635 523 713

Email: sales@kosnic.com

Kosnic.com



5 5 Years
Product Warranty
UK Only

3 3 Years
On-Site Warranty
Main-land UK Only



DD 2 Dimmable

07948 DD212DIM/4P-SCT

Dimming Compatibility

It is important to appreciate that not all dimmer switches will provide effective, smooth and flicker free dimming. The operation of common mains voltage AC dimmers appears similar but the electrical characteristics vary significantly. While this makes no difference to filament lamps, the effect on the electronics within the LED lamp can be dramatic and are often incompatible. Please note that all information in this guide is based on testing under laboratory conditions and should be used as guidance only. Because of the complicated application environment, the huge variation in dimmer construction from one model to another it is not possible to guarantee that a lamp will work with a dimmer and undesirable effects could be observed even with recommended dimmer switches. In extreme cases incompatible dimmer switches may damage the lamps. **Please ensure that the set-up is tested for performance before committing to a large project.**

Recommended Dimmer Switches:

Make	Model	Marked Rating	Notes
CYANIRIS	CYDIMRFT1 (Remote)	2 x 288W	1 - 9 Lamps. Approx 95% dimming.
Danlers	DQDGD MK	400W	1 - 9 Lamps. Approx 90% dimming.
Hamilton	LEDITB	5-100W LED	1 - 9 Lamps. Approx 95% dimming.
Hamilton	H-LEDSTAT-GR	5-100W LED	1 - 9 Lamps. Approx 90% dimming.
Robus	LOADPRO RLA200DT-01	133W	1 - 9 Lamps. Approx 95% dimming.
Zano	ZGRIDLED	250W LED	1 - 9 Lamps. Approx 85% dimming.
<u>Variight</u>	<u>Eclique</u> (JDQI401S)	400W	1 - 9 Lamps. Approx 90% dimming.
Variight	V-Pro	100W LED	1 - 9 Lamps. Approx 90% dimming.
Crabtree	SFCR1125/LED SFCR1225/LED	5-100W	1 - 9 Lamps. Approx 90% dimming.

Overview

Kosnic's Dimmable LED DD lamps take a fresh approach to functional lighting bringing dimmable energy saving LED technology in a DD lamp format.

IP20



General Information

Ambient Temperature Range (°C)	-20°C to 40°C
IP Rating	IP20
Nominal Lifetime (h)	30,000 h
Installation Area	Internal

Tel: 01635 523 713

Email: sales@kosnic.com

Kosnic.com



Kosnic Lighting KosnicUK KosnicLightingUK KosnicUK