

Albury

07895 ALBA-SMK/S

Albury angled sensor ext wall light smoky E27 lamp holder

- Die-cast aluminium body with polycarbonate housing
- Options of 3 mounting styles: wall, angled and bollard
- Option of smoky grey diffuser, ideal for filament lamps



Overview

Albury comes in varies versatile mounting styles: Bollard, Wall and Angled. They are IP65 with diecast aluminium housing which will be suitable for many domestic and commercial outdoor lighting requirements.



IP65



General Information

Ambient Temperature Range (°C)	-20°C to 50°C
IK Rating	IK10
IP Rating	IP65
Protection Rating	Class I
Installation Area	External

Compliance

LVD	EN 60598-1:2024, EN 60598-2-1:2021
Others	UKCA, CE, RoHS, WEEE

Technical Summary

Product Code	ALBA-SMK/S
Input Voltage Supply	220-240Vac 50/60Hz
Weight	0.58Kg
Dimensions (L x W x D) (mm)	332x178xØ105

Tel: 01635 523 713

Email: sales@kosnic.com

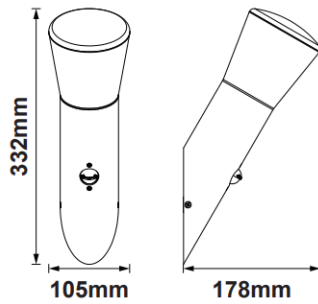
Kosnic.com



07895 ALBA-SMK/S

Overview

Albury comes in varies versatile mounting styles: Bollard, Wall and Angled. They are IP65 with diecast aluminium housing which will be suitable for many domestic and commercial outdoor lighting requirements.

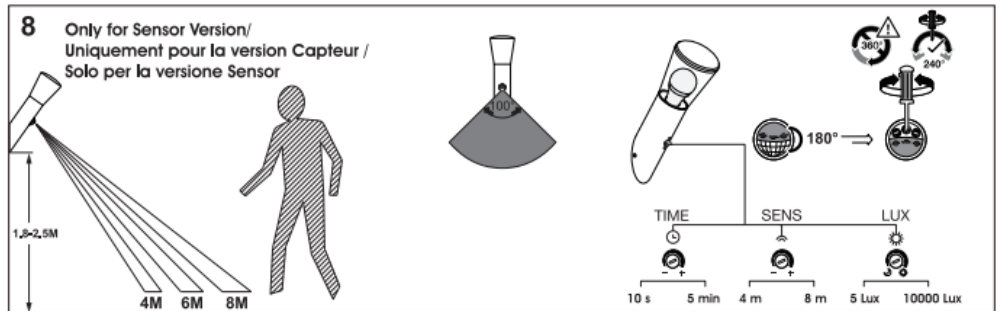


ALBA/S



General Information

Ambient Temperature Range (°C)	-20°C to 50°C
IK Rating	IK10
IP Rating	IP65
Protection Rating	Class I
Installation Area	External



Tel: 01635 523 713

Email: sales@kosnic.com

Kosnic.com

