

# Albury

07894 ALBA-SMK

## Albury angled exterior wall light smoky E27 lamp holder

- Die-cast aluminium body with polycarbonate housing
- Options of 3 mounting styles: wall, angled and bollard
- Option of smoky grey diffuser, ideal for filament lamps



### Overview

Albury comes in varies versatile mounting styles: Bollard, Wall and Angled. They are IP65 with diecast aluminium housing which will be suitable for many domestic and commercial outdoor lighting requirements.



**IP65**



### General Information

Ambient Temperature Range (°C)	-20°C to 50°C
IK Rating	IK10
IP Rating	IP65
Protection Rating	Class I
Installation Area	External

### Compliance

LVD	EN 60598-1:2024, EN 60598-2-1:2021
Others	UKCA, CE, RoHS, WEEE

### Technical Summary

Product Code	ALBA-SMK
Input Voltage Supply	220-240Vac 50/60Hz
Weight	0.5Kg
Dimensions (L x W x D) (mm)	305x162xØ105

Tel: 01635 523 713

Email: [sales@kosnic.com](mailto:sales@kosnic.com)

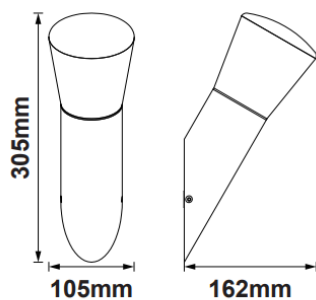
[Kosnic.com](http://Kosnic.com)



07894 ALBA-SMK

## Overview

Albury comes in varies versatile mounting styles: Bollard, Wall and Angled. They are IP65 with diecast aluminium housing which will be suitable for many domestic and commercial outdoor lighting requirements.



**ALBA**



**IP65**



## General Information

Ambient Temperature Range (°C) -20°C to 50°C

IK Rating IK10

IP Rating IP65

Protection Rating Class I

Installation Area External

Tel: 01635 523 713

Email: [sales@kosnic.com](mailto:sales@kosnic.com)

[Kosnic.com](http://Kosnic.com)

