

7 7 Years
Product Warranty
UK Only

2 2 Years
On-Site Warranty
Main-land UK Only

Kosnic

Echo 3 Pro

07887 ECH3P200-W50

Echo 3 PRO Highbay 100/150/200W 5000K Zhaga socket

- Ultra high efficiency up to 200lm/W
- IP65 & vandal resistant (IK10)
- Wattage switching at the side of highbay
- Optional plug-in emergency
- Optional plug-in microwave corridor sensor compatible with Uni-Remote
- MWS-ZGA requires MWS-RMT remote, PIR-ZGA requires ECH-RMT for setting
- Diecast aluminium body



Overview

The Echo 3 Pro adds to the Echo's high efficiency with wattage switching options and a plugin motion sensor for further energy savings. The plug in motion sensor and plug in emergency options makes the Echo III Pro a flexible choice combined with its IP65 rating.



IP65



General Information

Ambient Temperature Range (°C)	-20°C to 50°C
IK Rating	IK10
IP Rating	IP65
Protection Rating	Class I
Installation Area	Internal and External
L80B10 Lifetime (h) @Ta 25 °C	87,000 h

Compliance

LVD	EN 60598-1:2024, EN 60598-2-1:2021, EN 62493:2015+A1:2022
EMC	EN 55015:2019+A11:2020, EN 61000-3-2:2019+A1:2021, EN 61000-3-3:2013+A1:2019+A2:2021, EN 61547:2023
Others	UKCA, CE, RoHS, WEEE

Technical Summary

Product Code	ECH3P200-W50
Input Voltage Supply	220-240Vac 50/60Hz
Inrush Current (peak/duration) (A)	100A/300µs
Settable Wattages	100W, 150W, 200W
Driver Code/Part number	Sosen
Power Factor	0.95
Default CCT	5,000 K
SDCM of CCT	<6
CRI	≥82
Dimmable	N
Flicker	<1%
Lumens Output Maximum	33,000 lm
Maximum Efficiency	175 lm/W
Emergency Luminous Flux	900 lm
L70B50 Lifetime (h) @Ta 25 °C	138,000 h
L80B10 Lifetime (h) @Ta 25 °C	87,000 h
L90B10 Lifetime (h) @Ta 25 °C	41,000 h
Nominal Lifetime (h)	50,000 h
Glow wire temperature(°C)	650
Blue Light Hazard	RG1
Weight	2.55Kg
Dimensions (L x W x D) (mm)	164xØ298
Beam Angle - Lumi (°)	90
LS Energy Efficiency Class	C

Tel: 01635 523 713

Email: sales@kosnic.com

Kosnic.com



Kosnic Lighting KosnicUK

KosnicLightingUK

7 7 Years
Product Warranty
UK Only

2 2 Years
On-Site Warranty
Main-land UK Only



Echo 3 Pro

07887 ECH3P200-W50

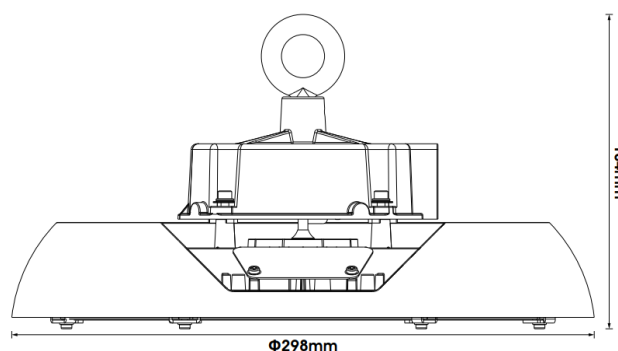
Optional Gear

Product Code	Description	Type
MWS-ZGA	Zhaga microwave motion sensor, 1-10V dim output	Microwave Sensor
EMHB08/ST	Emergency Module 8W Self-test for Kosnic Highbays	Self-test Emergency Module
EMHB08	Emergency Module 8W Manual for Kosnic Highbays	Emergency Module
EMHB10	Emergency Module 10W Manual for Kosnic Highbays	Emergency Module
EMHB10/ST	Emergency Module 10W Self-test for Kosnic Highbays	Self-test Emergency Module
EMHB10/DA	Emergency Module 10W DALI for Kosnic Highbays	Emergency Module
MWS-RMT	Infrared remote control for microwave sensor, MH10 (for MWS-ZGA)	Remote Control
PIR-ZGA	PIR sensor with Zhaga connector with ON/OFF 0-10V Dimming	PIR Sensor

Accessories

Product Code	Description	Type
ECH-LID	Echo Translucent bottom enclosure Ø404 x 40 mm for ECH-SHD-PC	Shade
ECH-SHD-AL	Echo aluminium shade for ECHP160, ECHP200, ECH3P200	Shade
ECH-SHD-PC	Echo, PC bell-shaped shade for ECH150, ECH200	Shade

Settable (Default in Bold)		Variable		
Rated Power (W)	CCT (K)	Maximum Current Draw (mA)	Total Luminous Flux (lm)	Light Source Supply
100	5000	460	17500	195Vdc 480mA
150	5000	690	25500	195Vdc 720mA
200	5000	915	33000	195Vdc 920mA



Overview

The Echo 3 Pro adds to the Echo's high efficiency with wattage switching options and a plugin motion sensor for further energy savings. The plug in motion sensor and plug in emergency options makes the Echo III Pro a flexible choice combined with its IP65 rating.



IP65



General Information

Ambient Temperature Range (°C)	-20°C to 50°C
IK Rating	IK10
IP Rating	IP65
Nominal Lifetime (h)	50,000 h
Protection Rating	Class I
Installation Area	Internal and External

Tel: 01635 523 713

Email: sales@kosnic.com

Kosnic.com



Kosnic Lighting KosnicUK KosnicLightingUK KosnicUK