

**7** 7 Years  
Product Warranty  
UK Only

**2** 2 Years  
On-Site Warranty  
Main-land UK Only

**Kosnic** 

# Echo 3 Pro

07886 ECH3P120-W50

## Echo 3 PRO Highbay 80/100/120W 5000K Zhaga socket

- Ultra high efficiency up to 200lm/W
- IP65 & vandal resistant (IK10)
- Wattage switching at the side of highbay
- Optional plug-in emergency
- Optional plug-in microwave corridor sensor compatible with Uni-Remote
- MWS-ZGA requires MWS-RMT remote, PIR-ZGA requires ECH-RMT for setting
- Diecast aluminium body



## Overview

The Echo 3 Pro adds to the Echo's high efficiency with wattage switching options and a plugin motion sensor for further energy savings. The plug in motion sensor and plug in emergency options makes the Echo III Pro a flexible choice combined with its IP65 rating.



**IP65**



## General Information

Ambient Temperature Range (°C)	-20°C to 50°C
IK Rating	IK10
IP Rating	IP65
Protection Rating	Class I
Installation Area	Internal and External
L80B10 Lifetime (h) @Ta 25 °C	47,000 h

## Compliance

LVD	EN 60598-1:2024, EN 60598-2-1:2021, EN 62493:2015+A1:2022
EMC	EN 55015:2019+A11:2020, EN 61000-3-2:2019+A1:2021, EN 61000-3-3:2013+A1:2019+A2:2021, EN 61547:2023
Others	UKCA, CE, RoHS, WEEE

## Technical Summary

Product Code	ECH3P120-W50
Input Voltage Supply	220-240Vac 50/60Hz
Inrush Current (peak/duration) (A)	80A/300µs
Settable Wattages	80W, 100W, 120W
Driver Code/Part number	Sosen
Power Factor	0.95
Default CCT	5,000 K
SDCM of CCT	<6
CRI	70
Dimmable	N
Flicker	<1%
Lumens Output Maximum	24,000 lm
Maximum Efficiency	200 lm/W
Emergency Luminous Flux	900 lm
L70B50 Lifetime (h) @Ta 25 °C	138,000 h
L80B10 Lifetime (h) @Ta 25 °C	47,000 h
L90B10 Lifetime (h) @Ta 25 °C	31,000 h
Nominal Lifetime (h)	50,000 h
Glow wire temperature(°C)	650
Blue Light Hazard	RG1
Weight	2Kg
Dimensions (L x W x D) (mm)	164xØ259
Beam Angle - Lumi (°)	90
LS Energy Efficiency Class	B

Tel: 01635 523 713

Email: [sales@kosnic.com](mailto:sales@kosnic.com)

[Kosnic.com](http://Kosnic.com)



Kosnic Lighting KosnicUK

KosnicLightingUK

**7** 7 Years  
Product Warranty  
UK Only

**2** 2 Years  
On-Site Warranty  
Main-land UK Only



# Echo 3 Pro

07886 ECH3P120-W50

## Optional Gear

Product Code	Description	Type
MWS-ZGA	Zhaga microwave motion sensor, 1-10V dim output	Microwave Sensor
EMHB08/ST	Emergency Module 8W Self-test for Kosnic Highbays	Self-test Emergency Module
EMHB08	Emergency Module 8W Manual for Kosnic Highbays	Emergency Module
EMHB10	Emergency Module 10W Manual for Kosnic Highbays	Emergency Module
EMHB10/ST	Emergency Module 10W Self-test for Kosnic Highbays	Self-test Emergency Module
EMHB10/DA	Emergency Module 10W DALI for Kosnic Highbays	Emergency Module
MWS-RMT	Infrared remote control for microwave sensor, MH10 (for MWS-ZGA)	Remote Control
PIR-ZGA	PIR sensor with Zhaga connector with ON/OFF 0-10V Dimming	PIR Sensor

## Overview

The Echo 3 Pro adds to the Echo's high efficiency with wattage switching options and a plugin motion sensor for further energy savings. The plug in motion sensor and plug in emergency options makes the Echo III Pro a flexible choice combined with its IP65 rating.



**IP65**



## General Information

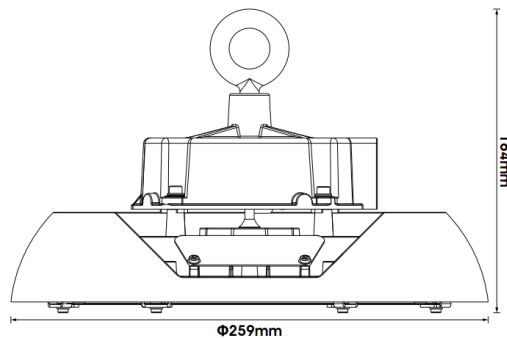
Ambient Temperature Range (°C)	-20°C to 50°C
IK Rating	IK10
IP Rating	IP65
Nominal Lifetime (h)	50,000 h
Protection Rating	Class I
Installation Area	Internal and External

## Accessories

Product Code	Description	Type
ECH-SHD-PCS	Echo PC bell-shaped shade	Shade

Settable (Default in Bold)		Variable	
CCT (K)	Rated Power (W)	Maximum Current Draw (mA)	Total Luminous Flux (lm)
5000	80	366	16000
5000	100	458	20000
<b>5000</b>	<b>120</b>	<b>549</b>	<b>24000</b>



Tel: 01635 523 713

Email: sales@kosnic.com

Kosnic.com



Kosnic Lighting KosnicUK KosnicLightingUK KosnicUK