

**5** 5 Years  
Product Warranty  
UK Only

**2** 2 Years  
On-Site Warranty  
Main-land UK Only

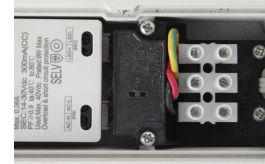


# Portage 2

07852 POR15-SCT-BLK

## Portage 2 UP/DOWN LED wall light Non-dimmable 15W SCT Black

- Switchable CCT (3000K/4000K/5000K)
- Available in black and white
- Up and down wall lighting (50% up/50% down)
- Negligible UV output, ideal for retail application
- Flicker free



## Overview

The Portage integrated up/down wall light offers a low maintenance solution to lighting for all areas, with switchable CCT to meet your different ambient needs.



**IP54**



## General Information

Ambient Temperature Range (°C)	-20°C to 50°C
IK Rating	IK07
IP Rating	IP54
Protection Rating	Class I
Installation Area	Internal and External
L80B10 Lifetime (h) @Ta 25 °C	109,000 h

## Compliance

Others UKCA, CE, RoHS, WEEE

## Technical Summary

Product Code	POR15-SCT-BLK
Input Voltage Supply	220-240Vac 50/60Hz
Inrush Current (peak/duration) (A)	12.9A/2.32us
Default Power	15 W
Power Factor	0.9
Settable Colour Temperatures	3000K, 4000K, 5000K
SDCM of CCT	<6
CRI	82
Dimmable	N
Flicker	<1%
Lumens Output Maximum	670 lm
Maximum Efficiency	45 lm/W
L70B50 Lifetime (h) @Ta 25 °C	173,000 h
L80B10 Lifetime (h) @Ta 25 °C	109,000 h
L90B10 Lifetime (h) @Ta 25 °C	52,000 h
Nominal Lifetime (h)	50,000 h
Glow wire temperature(°C)	650
Blue Light Hazard	RG1
Weight	0.885Kg
Dimensions (L x W x D) (mm)	220x95x55
Beam Angle - Lumi (°)	120
LS Energy Efficiency Class	D

Tel: 01635 523 713

Email: sales@kosnic.com

Kosnic.com



Kosnic Lighting KosnicUK

KosnicLightingUK

**5** 5 Years  
Product Warranty  
UK Only

**2** 2 Years  
On-Site Warranty  
Main-land UK Only

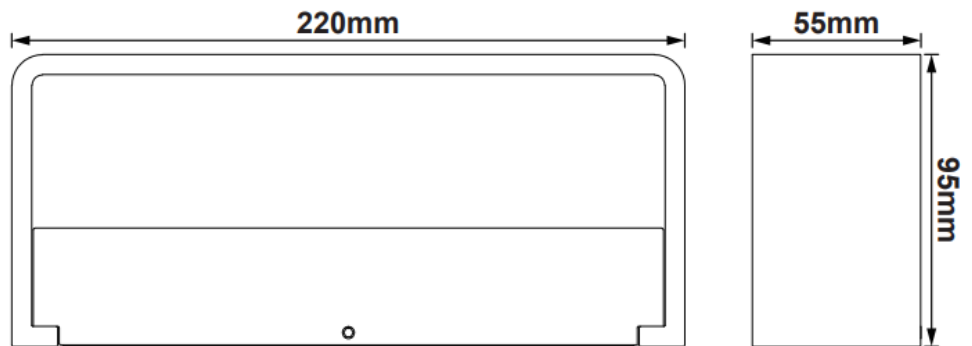
# Portage 2

07852 POR15-SCT-BLK

CCT (K)	Lumen (lm)
3000 Warm White	590
4000 Cool White	670
5000 Day Light	650

## Overview

The Portage integrated up/down wall light offers a low maintenance solution to lighting for all areas, with switchable CCT to meet your different ambient needs.



**IP54**



## General Information

Ambient Temperature Range (°C)	-20°C to 50°C
IK Rating	IK07
IP Rating	IP54
Nominal Lifetime (h)	50,000 h
Protection Rating	Class I
Installation Area	Internal and External

Tel: 01635 523 713

Email: [sales@kosnic.com](mailto:sales@kosnic.com)

[Kosnic.com](http://Kosnic.com)

