

5 5 Years
Product Warranty
UK Only

2 2 Years
On-Site Warranty
Main-land UK Only

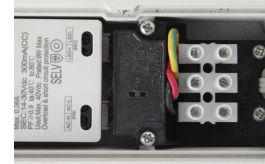


Portage 2

07851 POR15-SCT-WHT

Portage 2 UP/DOWN LED wall light Non-dimmable 15W SCT white

- Switchable CCT (3000K/4000K/5000K)
- Available in black and white
- Up and down wall lighting (50% up/50% down)
- Negligible UV output, ideal for retail application
- Flicker free



Overview

The Portage integrated up/down wall light offers a low maintenance solution to lighting for all areas, with switchable CCT to meet your different ambient needs.



IP54



General Information

Ambient Temperature Range (°C)	-20°C to 50°C
IK Rating	IK07
IP Rating	IP54
Protection Rating	Class I
Installation Area	Internal and External
L80B10 Lifetime (h) @Ta 25 °C	109,000 h

Compliance

Others UKCA, CE, RoHS, WEEE

Technical Summary

Product Code	POR15-SCT-WHT
Input Voltage Supply	220-240Vac 50/60Hz
Inrush Current (peak/duration) (A)	12.9A/2.32us
Default Power	15 W
Power Factor	0.9
Settable Colour Temperatures	3000K, 4000K, 5000K
SDCM of CCT	<6
CRI	82
Dimmable	N
Flicker	<1%
Lumens Output Maximum	910 lm
Maximum Efficiency	61 lm/W
L70B50 Lifetime (h) @Ta 25 °C	173,000 h
L80B10 Lifetime (h) @Ta 25 °C	109,000 h
L90B10 Lifetime (h) @Ta 25 °C	52,000 h
Nominal Lifetime (h)	50,000 h
Glow wire temperature(°C)	650
Blue Light Hazard	RG1
Weight	0.885Kg
Dimensions (L x W x D) (mm)	220x95x55
Beam Angle - Lumi (°)	120
LS Energy Efficiency Class	D

Tel: 01635 523 713

Email: sales@kosnic.com

Kosnic.com



Kosnic Lighting KosnicUK

KosnicLightingUK

5 5 Years
Product Warranty
UK Only

2 2 Years
On-Site Warranty
Main-land UK Only

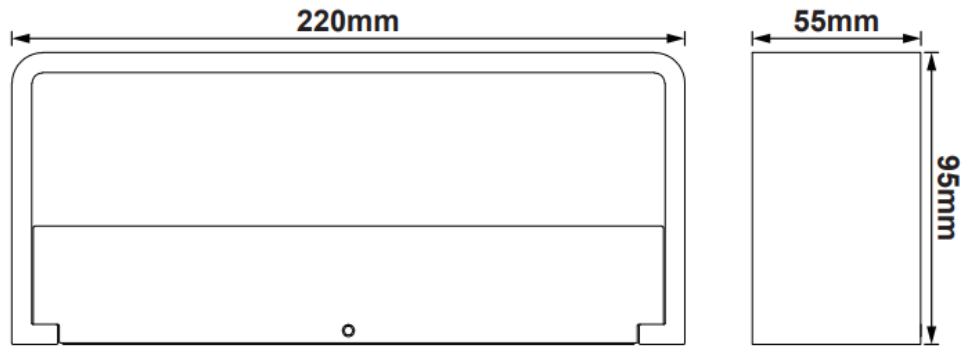
Portage 2

07851 POR15-SCT-WHT

Overview

The Portage integrated up/down wall light offers a low maintenance solution to lighting for all areas, with switchable CCT to meet your different ambient needs.

CCT (K)	Lumen (lm)
3000 Warm White	820
4000 Cool White	910
5000 Day Light	860



IP54



General Information

Ambient Temperature Range (°C)	-20°C to 50°C
IK Rating	IK07
IP Rating	IP54
Nominal Lifetime (h)	50,000 h
Protection Rating	Class I
Installation Area	Internal and External

Tel: 01635 523 713

Email: sales@kosnic.com

Kosnic.com

