

High Efficient Filament

07752 HEFA04-BC30

High Efficient Filament A60 (GLS) 4W BC (B22) 3000K Clear

- Up to 215lm/W with an energy class rating of A
- Save energy up to 85% compared with an incandescent filament lamp
- Colour Temperature of 3000K



Overview

The Kosnic LED Filament lamp has a traditional appearance and gives an even spread of light in all directions. It is also highly functional and efficient. The lamps can quickly replace filament products in domestic and hospitality lighting applications, and once in place rapid payback is achieved.



General Information

Ambient Temperature Range (°C)	-20°C to 50°C
IP Rating	IP20
Protection Rating	Class II
Installation Area	Internal
L80B10 Lifetime (h) @Ta 25 °C	15,000 h

Compliance

LVD	EN 62031:2020, EN 62471:2008, EN 62493:2015+A1:2022, EN 62560:2012+A11:2019
EMC	EN 55015:2019+A11:2020, EN 61000-3-2:2019+A1:2021, EN 61000-3-3:2013+A1:2019+A2:2021, EN 61547:2023
Others	UKCA, CE, RoHS, WEEE

Technical Summary

Product Code	HEFA04-BC30
Input Voltage Supply	220-240Vac 50/60Hz
Inrush Current (peak/duration) (A)	5.6A/1280us
Default Power	4 W
Power Factor	0.4
Default CCT	3,000 K
SDCM of CCT	<6
CRI	80
Dimmable	N
Flicker	<10%
Lumens Output Maximum	840 lm
Maximum Efficiency	210 lm/W
L70B50 Lifetime (h) @Ta 25 °C	15,000 h
L80B10 Lifetime (h) @Ta 25 °C	15,000 h
L90B10 Lifetime (h) @Ta 25 °C	5,000 h
Nominal Lifetime (h)	15,000 h
Blue Light Hazard	RG1
Weight	0.032Kg
Dimensions (L x W x D) (mm)	104xØ60
LS Energy Efficiency Class	A

Tel: 01635 523 713

Email: sales@kosnic.com

Kosnic.com



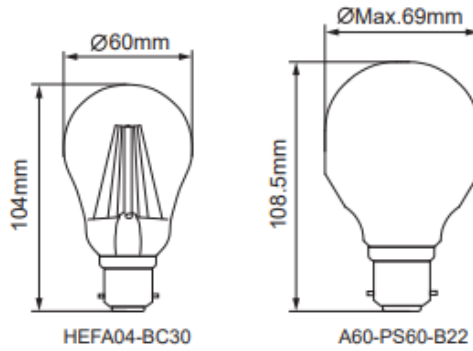
Kosnic Lighting KosnicUK KosnicLightingUK

High Efficient Filament

07752 HEFA04-BC30

Overview

The Kosnic LED Filament lamp has a traditional appearance and gives an even spread of light in all directions. It is also highly functional and efficient. The lamps can quickly replace filament products in domestic and hospitality lighting applications, and once in place rapid payback is achieved.



General Information

Ambient Temperature Range (°C)	-20°C to 50°C
IP Rating	IP20
Nominal Lifetime (h)	15,000 h
Protection Rating	Class II
Installation Area	Internal

Tel: 01635 523 713

Email: sales@kosnic.com

Kosnic.com

