

# Reon Golf

07668 G4.9-ES40

## Golf 4.9W ES (E27) 4000K

- Save energy by up to 90%
- Choices of 2700K, 4000K, 6500K
- Replacement for incandescent golf lamps
- Long life of 15,000h



### Overview

The Classic shaped Golf from Kosnic is a selected line of energy saving retrofit LED lamps. Reliable, affordable and easy to install.



**IP20**



### General Information

Ambient Temperature Range (°C)	-20°C to 40°C
IP Rating	IP20
Protection Rating	Class II
Installation Area	Internal
L80B10 Lifetime (h) @Ta 25 °C	9,000 h

### Compliance

LVD	EN 62031:2020, EN 62471:2008, EN 62493:2015+A1:2022, EN 62560:2012+A11:2019
EMC	EN 55015:2019+A11:2020, EN 61000-3-2:2019+A1:2021, EN 61000-3-3:2013+A1:2019+A2:2021, EN 61547:2023
Others	UKCA, CE, RoHS, WEEE

### Technical Summary

Product Code	G4.9-ES40
Input Voltage Supply	220-240Vac 50/60Hz
Inrush Current (peak/duration) (A)	3.8A/200us
Default Power	4.9 W
Power Factor	0.55
Default CCT	4,000 K
SDCM of CCT	<6
CRI	80
Dimmable	N
Flicker	<1%
Lumens Output Maximum	470 lm
Maximum Efficiency	96 lm/W
L70B50 Lifetime (h) @Ta 25 °C	15,000 h
L80B10 Lifetime (h) @Ta 25 °C	9,000 h
L90B10 Lifetime (h) @Ta 25 °C	4,000 h
Nominal Lifetime (h)	15,000 h
Glow wire temperature(°C)	650
Blue Light Hazard	RG1
Weight	0.021Kg
Dimensions (L x W x D) (mm)	77xØ45
Beam Angle - Lumi (°)	150
LS Energy Efficiency Class	F

Tel: 01635 523 713

Email: sales@kosnic.com

Kosnic.com



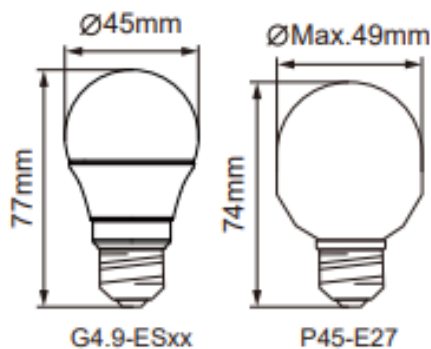
Kosnic Lighting KosnicUK KosnicLightingUK

# Reon Golf

07668 G4.9-ES40

## Overview

The Classic shaped Golf from Kosnic is a selected line of energy saving retrofit LED lamps. Reliable, affordable and easy to install.



**IP20**



## General Information

Ambient Temperature Range (°C) -20°C to 40°C

IP Rating IP20

Nominal Lifetime (h) 15,000 h

Protection Rating Class II

Installation Area Internal

Tel: 01635 523 713

Email: [sales@kosnic.com](mailto:sales@kosnic.com)

[Kosnic.com](http://Kosnic.com)

