

# Della Go

07638 DELG50-W65

## Della Go Flood Light IP65 50W 6500K Black

- Diecast aluminium body
- Surge Protection
- Plug-in PIR sensor
- Optional remote controlled PIR sensor
- 1m of H05RN-F 3 x 1.0mm<sup>2</sup> cable



### Overview

The Della Go LED floodlight offers a good lighting coverage for domestic and commercial outdoor lighting requirements. With varies wattage options available.



**IP65**



### General Information

Ambient Temperature Range (°C)	-20°C to 50°C
IK Rating	IK08
IP Rating	IP65
Protection Rating	Class I
Installation Area	External
L80B10 Lifetime (h) @Ta 25 °C	36,000 h

### Compliance

LVD	EN 60598-1:2024, EN 60598-2-5:2015
EMC	EN 55015:2019+A11:2020, EN 61000-3-2:2019+A1:2021, EN 61000-3-3:2013+A1:2019+A2:2021, EN 61547:2023
Others	UKCA, CE, RoHS, WEEE

### Technical Summary

Product Code	DELG50-W65
Input Voltage Supply	220-240Vac 50/60Hz
Inrush Current (peak/duration) (A)	328A/20us
Default Power	50 W
Power Factor	0.99
Default CCT	6,500 K
SDCM of CCT	<6
CRI	82
Dimmable	N
Flicker	<1%
Lumens Output Maximum	5,250 lm
Maximum Efficiency	105 lm/W
L70B50 Lifetime (h) @Ta 25 °C	36,000 h
L80B10 Lifetime (h) @Ta 25 °C	36,000 h
L90B10 Lifetime (h) @Ta 25 °C	25,000 h
Nominal Lifetime (h)	30,000 h
Glow wire temperature(°C)	650
Blue Light Hazard	RG1
Weight	0.6Kg
Dimensions (L x W x D) (mm)	265x182x26
Beam Angle - Lumi (°)	90
LS Energy Efficiency Class	F

Tel: 01635 523 713

Email: sales@kosnic.com

Kosnic.com



# Della Go

07638 DELG50-W65

## Optional Gear

Product Code	Description	Type
DELG-PIR	Della Go PIR Sensor (requires Remote Control, order separately)	PIR Sensor

## Accessories

Product Code	Description	Type
RMT-UNI	Universal Remote Control for Kosnic motion sensors	Remote Control
KCWP3IN	IP67 in-line connector	Connector kit

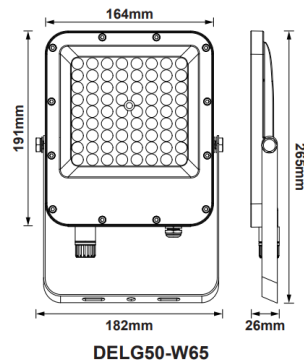
## Overview

The Della Go LED floodlight offers a good lighting coverage for domestic and commercial outdoor lighting requirements. With varies wattage options available.



## General Information

Ambient Temperature Range (°C)	-20°C to 50°C
IK Rating	IK08
IP Rating	IP65
Nominal Lifetime (h)	30,000 h
Protection Rating	Class I
Installation Area	External



Tel: 01635 523 713

Email: [sales@kosnic.com](mailto:sales@kosnic.com)

[Kosnic.com](http://Kosnic.com)

