

7 7 Years
Product Warranty
UK Only

2 2 Years
On-Site Warranty
Main-land UK Only

Kali

07611 KLI0505-W40

Kali standard, LED panel, 30W, 495*495, 4000K

- Save up to 60% energy usage compared to traditional fluorescent fittings
- TP(b) fire resistant polycarbonate diffuser
- Low glare, UGR<19*
- Flicker free
- Optional DALI, 1-10V (0-10V) driver
- IP44 when ceiling recess mounted
- White powder coated aluminium frame



Overview

The Kali Standard ceiling and wall panel is a compact version of the standard ceiling tile fitting. Offering Edge-Lit technology to achieve constant light across the surface of the luminaire and is an easy-to-retrofit replacement for in-lay ceiling tile fittings.



General Information

Ambient Temperature Range (°C)	-20°C to 50°C
IK Rating	IK04
IP Rating	IP44
Protection Rating	Class II
Installation Area	Internal
L80B10 Lifetime (h) @Ta 25 °C	50,000 h

Compliance

LVD	EN 60598-1:2024, EN 60598-2-2:2012, EN 62031:2020, EN 62471:2008, EN 62493:2015+A1:2022
EMC	EN 55015:2019+A11:2020, EN 61000-3-2:2019+A1:2021, EN 61000-3-3:2013+A1:2019+A2:2021, EN 61547:2023
Others	RoHS, WEEE

Technical Summary

Product Code	KLI0505-W40
Input Voltage Supply	220-240Vac 50/60Hz
Inrush Current (peak/duration) (A)	25A/110µ
Default Power	30 W
Driver Code/Part number	DR32C75
Driver Maximum Power (W)	32 W
Driver Output Current (mA)	750
Power Factor	0.95
Driver Power Factor	0.9
Default CCT	4,000 K
SDCM of CCT	<6
CRI	82
Dimmable	N
Flicker	<1%
Lumens Output Maximum	3,200 lm
Maximum Efficiency	107 lm/W
L70B50 Lifetime (h) @Ta 25 °C	60,000 h
L80B10 Lifetime (h) @Ta 25 °C	50,000 h
L90B10 Lifetime (h) @Ta 25 °C	40,000 h
Nominal Lifetime (h)	50,000 h
Glow wire temperature(°C)	850
Blue Light Hazard	RG1
Weight	1.68Kg
Dimensions (L x W x D) (mm)	495x495x8.5

Tel: 01635 523 713

Email: sales@kosnic.com

Kosnic.com



Kosnic Lighting KosnicUK KosnicLightingUK KosnicUK

7 7 Years
Product Warranty
UK Only

2 2 Years
On-Site Warranty
Main-land UK Only

Kali

07611 KLI0505-W40

Overview

The Kali Standard ceiling and wall panel is a compact version of the standard ceiling tile fitting. Offering Edge-Lit technology to achieve constant light across the surface of the luminaire and is an easy-to-retrofit replacement for in-lay ceiling tile fittings.



General Information

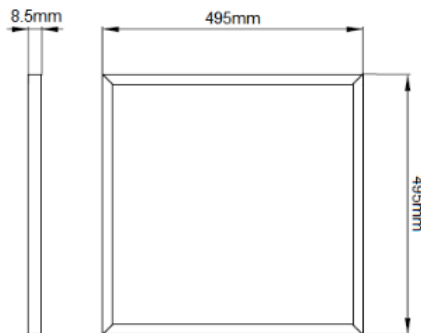
Ambient Temperature Range (°C)	-20°C to 50°C
IK Rating	IK04
IP Rating	IP44
Nominal Lifetime (h)	50,000 h
Protection Rating	Class II
Installation Area	Internal

Optional Gear

Product Code	Description	Type
EMPAD02	Niah, 2W universal emergency pad for LED panel	Emergency Module
UEM04/ST	4W Universal Emergency Module Pro Self Test	Self-test Emergency Module
UEM04	4W Universal Emergency Module Pro	Emergency Module
UEM03/ST	3W Universal Emergency Module, Self Test	Self-test Emergency Module
UEM03	3W Universal Emergency Module	Emergency Module
CYC030TDC30-90	30W DALI2 1-10V primary push dim driver (KL30C-PDiV)	Dimmable Driver
EMPAD02/ST	Niah self test 2W universal emergency pad for LED panel	Self-test Emergency Module
DRC40/DA	Dimmable Driver: 40W DALI2 1-10V primary push dim driver	Dimmable Driver

Accessories

Product Code	Description	Type
SUS04	LED Panel & Slim Line II suspension kit (4 cables per bag)	Suspension Kit



Tel: 01635 523 713

Email: sales@kosnic.com

Kosnic.com



Kosnic Lighting KosnicUK KosnicLightingUK KosnicUK