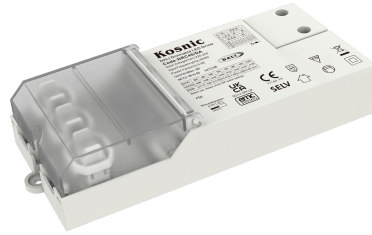


# Dimmable Driver

07475 DRC40/DA

## Dimmable Driver: 40W DALI2 1-10V primary push dim driver

- Loop-in and loop-out push-wire terminals
- Stand-by power below 0.5W
- Flicker free for entire dimming range
- Configurable output current with DIP switches



### Overview

The Kosnic constant current dimmable LED drivers are multifunctional with the option to have DALI/1-10V and primary PUSH retractable switch dimming. With multiple constant current output selections (650-1100mA) the dimmable driver is suitable for a variety of products.



### General Information

IP Rating	IP20
Protection Rating	Class II
Installation Area	Internal

### Technical Summary

Product Code	DRC40/DA
Driver Output Current (mA)	700-1,050
Driver Power Factor	0.95
Weight	0.18Kg
Dimensions (L x W x D) (mm)	167x73x35

### Compliance

LVD	EN 60598-1:2024, EN 61347-1:2015+A1:2021, EN 61347-2-13:2014+A1:2017, EN 61493:2015
EMC	EN 55015:2019+A11:2020, EN 61000-3-2:2019+A1:2021, EN 61000-3-3:2013+A1:2019+A2:2021, EN 61547:2023
Others	UKCA, CE, RoHS, WEEE

Tel: 01635 523 713

Email: [sales@kosnic.com](mailto:sales@kosnic.com)

[Kosnic.com](http://Kosnic.com)

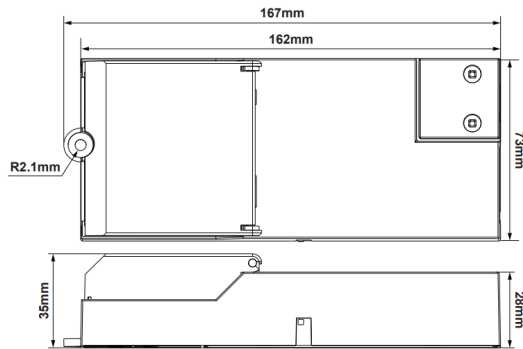


# Dimmable Driver

07475 DRC40/DA

## Overview

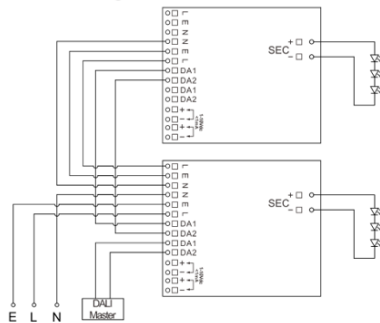
The Kosnic constant current dimmable LED drivers are multifunctional with the option to have DALI/1-10V and primary PUSH retractable switch dimming. With multiple constant current output selections (650-1100mA) the dimmable driver is suitable for a variety of products.



## General Information

IP Rating	IP20
Protection	Class II
Rating	
Installation Area	Internal

## DALI Dimming



Output Current	Output Voltage	Max. Load	Max. Input Power	Max. Input Current*	Power Factor*	Efficiency*
700 mA	12-58 Vdc	40.6 W	46 W	211 mA	0.95	88 %
750 mA	12-56 Vdc	42.0 W	48 W	218 mA	0.95	88 %
800 mA	12-52 Vdc	41.6 W	47 W	216 mA	0.95	88 %
850 mA	12-49 Vdc	41.7 W	47 W	217 mA	0.95	88 %
900 mA	12-46 Vdc	41.4 W	47 W	215 mA	0.95	88 %
950 mA	12-44 Vdc	41.8 W	48 W	217 mA	0.95	88 %
1000 mA	12-42 Vdc	42.0 W	48 W	218 mA	0.95	88 %
1050 mA	12-40 Vdc	42.0 W	48 W	218 mA	0.95	88 %

\*at 230 V, 50 Hz, Full Load

DIP switches are used to select the output.

Output Current Settings				
DIP Switch	1	2	3	
1050 mA	ON	ON	ON	
1000 mA	-	ON	ON	
950 mA	ON	-	ON	
900 mA	-	-	ON	
850 mA	ON	ON	-	
800 mA	-	ON	-	
750 mA	ON	-	-	
700 mA	-	-	-	

Tel: 01635 523 713

Email: sales@kosnic.com

Kosnic.com

