

Mauna PIR Sensor

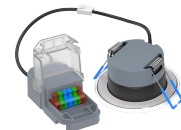
07315 MAUPIR/D

Mauna fire rated PIR sensor phase-cut dim output

- IP65 Rated
- BS 476 Part 21/BS EN1365-2 Fire-Rated to 30, 60 and 90 min.
- Optional Uni-Remote
- Front scene switch with 3 scene settings
- Interchangeable magnetic bezels with different finishes
- Can be installed under Insulation
- Compact size
- Maximum load of 1000W (inductive) and 2000W (resistive)

Overview

The Mauna Fire-Rated PIR Sensor needs only a 40mm void clearance. IP65 rating and installable under insulation makes it a flexible application. The control mode can set hold time and daylight harvesting, with more options via the Universal Remote Control. With the same profile as the Mauna II all of the interchangeable bezels can be



General Information

Ambient Temperature Range (°C)	-20°C to 40°C
IP Rating	IP65
Protection Rating	Class II
Installation Area	Internal

Technical Summary

Product Code	MAUPIR/D
Input Voltage Supply	220-240Vac 50/60Hz
Dimmable	Y
Weight	0.158Kg
Dimensions (L x W x D) (mm)	51xØ88
Cut-Out (mm)	Ø70mm
Ceiling Void (mm)	40 mm

Compliance

Others	UKCA, CE, RoHS, WEEE
--------	----------------------

Tel: 01635 523 713

Email: sales@kosnic.com

Kosnic.com



Kosnic Lighting KosnicUK KosnicLightingUK

Mauna PIR Sensor

07315 MAUPIR/D

Accessories

Product Code	Description	Type
MAUBZ-SABR	Mauna Square Magnetic bezel Antique Brass	Bezel
MAUBZ-SSCH	Mauna Square Magnetic bezel, Satin Chrome	Bezel
MAUBZ-SCHM	Mauna Square Magnetic bezel, Chrome	Bezel
MAUBZ-SWHT	Mauna Square Magnetic bezel, White	Bezel
MAUBZ-SBLK	Mauna Square Magnetic bezel, Black	Bezel
MAUBZ-SBAS	Mauna Square Magnetic bezel, Brass	Bezel
MAUBZ-ABR	Mauna Round Magnetic bezel Antique brass	Bezel
MAUBZ-SCH	Mauna Round Magnetic bezel Satin Chrome	Bezel
MAUBZ-CHM	Mauna Round Magnetic bezel Polished chrome	Bezel
MAUBZ-WHT	Mauna Round Magnetic bezel White	Bezel
MAUBZ-BLK	Mauna Round Magnetic bezel Black	Bezel
MAUBZ-BAS	Mauna Round Magnetic bezel Brass	Bezel
MAUPIR/D-RMT	Mauna fire rated PIR phase-cut output, remote included	Remote Control
RMT-UNI	Universal Remote Control for Kosnic motion sensors	Remote Control

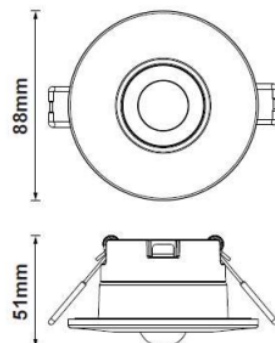
Overview

The Mauna Fire-Rated PIR Sensor needs only a 40mm void clearance. IP65 rating and installable under insulation makes it a flexible application. The control mode can set hold time and daylight harvesting, with more options via the Universal Remote Control. With the same profile as the Mauna II all of the interchangeable bezels can be



General Information

Ambient Temperature Range (°C)	-20°C to 40°C
IP Rating	IP65
Protection Rating	Class II
Installation Area	Internal



Tel: 01635 523 713

Email: sales@kosnic.com

Kosnic.com

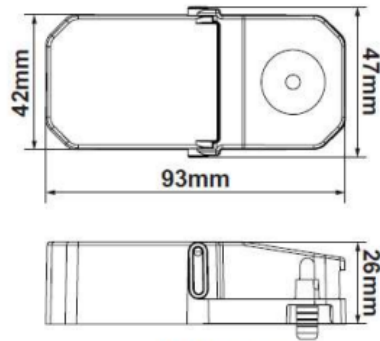


Mauna PIR Sensor

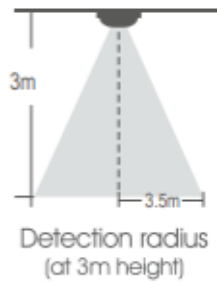
07315 MAUPIR/D

Overview

The Mauna Fire-Rated PIR Sensor needs only a 40mm void clearance. IP65 rating and installable under insulation makes it a flexible application. The control mode can set hold time and daylight harvesting, with more options via the Universal Remote Control. With the same profile as the Mauna II all of the interchangeable bezels can be



Detection Range



General Information

Ambient Temperature Range (°C)	-20°C to 40°C
IP Rating	IP65
Protection Rating	Class II
Installation Area	Internal

A1 - A2 Hold Time [MIN]	A3 - A4 Daylight Threshold [LUX]	A5 - A6 Stand-By Period [MIN]	A7 - A8 Stand- By Dim Level [%]	B1 - B2 Detection Area [%]	B3 - B4 CCT [K]	B5 - B6 Brightness [%]	B7 User Key	B8 Pair Key
Time stays ON after no motion detected	OFF when ambient light above threshold	Remains dimmed for this period if no motion detected & then turns off	Dimmed level in Stand-By	Sensor detection area/ sensitivity	Correlated colour Temperature	Adjust luminaire brightness	SECURITY SETTINGS	

Tel: 01635 523 713

Email: sales@kosnic.com

Kosnic.com

