

WiZ Pro Bridge Box

07302 WIZBRB/DV

WiZ Pro 1-10V Dimmable Bridge Box 220-240V

- Easy wireless dimming and scheduling for energy saving and convenience
- WiZ Click feature enables easy installation
- Connecting to Wi-Fi for cloud-based control and remote access. No gateway needed
- In-built relay on and off control & 1-10V range dimming (1-10V model)
- Max 300W output load
- Suitable for both independent and built-in usage
- Energy metering feature with 10% accuracy



Overview

The Kosnic WiZ Pro 1-10V bridge box can work with 1-10V constant current LED drivers to enable dimming features. Advanced design of the bridge box helps to build a reliable and standardized connected lighting system with different functionalities from simple wireless dimming to cloud based operations.



General Information

Ambient Temperature Range (°C)	-20°C to 50°C
IP Rating	IP20
Protection Rating	Class II
Installation Area	Internal

Compliance

Others	UKCA, CE, RoHS, WEEE
--------	----------------------

Technical Summary

Product Code	WIZBRB/DV
Input Voltage Supply	220-240Vac 50/60Hz
Nominal Lifetime (h)	50,000 h
Dimensions (L x W x D) (mm)	88x41.2x28

Tel: 01635 523 713

Email: sales@kosnic.com

Kosnic.com



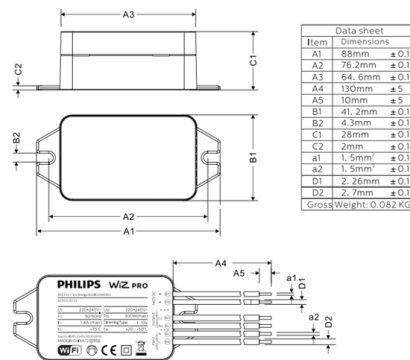
Kosnic Lighting KosnicUK KosnicLightingUK

WiZ Pro Bridge Box

07302 WIZBRB/DV

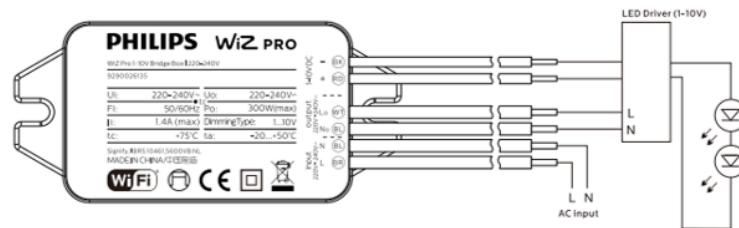
Overview

The Kosnic WiZ Pro 1-10V bridge box can work with 1-10V constant current LED drivers to enable dimming features. Advanced design of the bridge box helps to build a reliable and standardized connected lighting system with different functionalities from simple wireless dimming to cloud based operations.



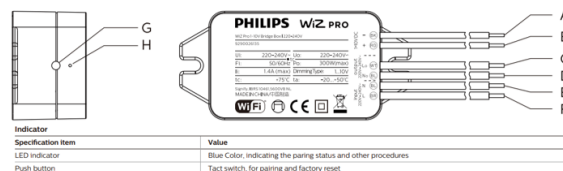
General Information

Ambient Temperature Range (°C)	-20°C to 50°C
IP Rating	IP20
Nominal Lifetime (h)	50,000 h
Protection Rating	Class II
Installation Area	Internal



1. Disconnect the mains supply.
2. Use accessory screws to fix the product through the U-shaped grooves on both sides.
3. Connect the output live and neutral of the bridge box into the LED driver input terminals.
4. Connect the 1-10v control wires into the LED driver 1-10v terminals.
5. Connect the input live and neutral supply from the bridge box to the mains supply.

Specification Item	Definition	Remark
A	1-10V DC (-) - Black	1-10V negative polarity output
B	1-10V DC (+) - Red	1-10V positive polarity output
C	220V-240V - Lo - White	Live output
D	220V-240V - No - Blue	Neutral output
E	220V-240V - N - Blue	Neutral input
F	220V-240V - L - Brown	Live input
G	Push button	Reset button
H	LED light	LED light



Tel: 01635 523 713

Email: sales@kosnic.com

Kosnic.com

