

5 5 Years
Product Warranty
UK Only

2 2 Years
On-Site Warranty
Main-land UK Only



Polo

07298 POL15-SCT

Polo LED bulkhead 9/12/15W CCT switchable

- Switchable CCT (3000/4000/5000K)
- Twist & lock ring for fast installation
- Wattage switchable 9W/12W/15W
- IP65 and vandal resistant (IK10)
- Integrated LED tray
- Optional microwave sensor
- BESA box fitting points
- Flicker free



Overview

The Kosnic Polo Integrated LED Bulkhead comes with built-in LED modules with a design that offers selectable wattage and CCT. The bulkhead is IP65 rated and IK10 vandal resistant. Also, available manual or self-test emergency modules and a microwave sensor optional add-ons. A simple, elegant and practical lighting solution.



General Information

Ambient Temperature Range (°C)	-20°C to 50°C
IK Rating	IK10
IP Rating	IP65
Protection Rating	Class II
Installation Area	Internal and External
L80B10 Lifetime (h) @Ta 25 °C	54,000 h

Compliance

LVD	EN 60598-1:2024, EN 60598-2-1:2021, EN 61347-1:2015+A1:2021, EN 61347-2-13:2014+A1:2017, EN 62031:2020
EMC	EN 55015:2019+A11:2020, EN 61000-3-2:2019+A1:2021, EN 61000-3-3:2013+A1:2019+A2:2021, EN 61547:2023
Others	UKCA, CE, RoHS, WEEE

Technical Summary

Product Code	POL15-SCT
Input Voltage Supply	220-240Vac 50/60Hz
Inrush Current (peak/duration) (A)	6.4A/1.2µs
Settable Wattages	9W, 12W, 15W
Settable Colour Temperatures	3000K, 4000K, 5000K
SDCM of CCT	<6
CRI	≥82
Dimmable	N
Flicker	0.01%
Lumens Output Maximum	1,510 lm
Maximum Efficiency	101 lm/W
Emergency Luminous Flux	110 lm
L70B50 Lifetime (h) @ Ta 25 °C	54,000 h
L80B10 Lifetime (h) @ Ta 25 °C	54,000 h
L90B10 Lifetime (h) @ Ta 25 °C	26,000 h
Nominal Lifetime (h)	50,000 h
Glow wire temperature(°C)	650
Blue Light Hazard	RG1
Weight	0.94Kg
Dimensions (L x W x D) (mm)	95xØ325
BESA Entry	True
Conduit Entry 20mm	Yes
LS Energy Efficiency Class	E

Tel: 01635 523 713

Email: sales@kosnic.com

Kosnic.com



Kosnic Lighting KosnicUK KosnicLightingUK

5 5 Years
Product Warranty
UK Only

2 2 Years
On-Site Warranty
Main-land UK Only

Polo



07298 POL15-SCT

Optional Gear

Product Code	Description	Type
MWS-DC	Plug-in microwave motion sensor 12V DC PWM	Microwave Sensor
EMDD02/ST	2W self-test emergency module for LED DD and bulkhead	Self-test Emergency Module
EMDD02	2W standard emergency module for LED DD and bulkhead	Emergency Module
RMW-DC	Plug in microwave motion and daylight sensor 12V DC	Microwave Sensor

Overview

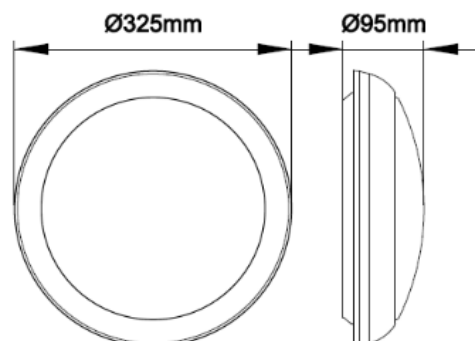
The Kosnic Polo Integrated LED Bulkhead comes with built-in LED modules with a design that offers selectable wattage and CCT. The bulkhead is IP65 rated and IK10 vandal resistant. Also, available manual or self-test emergency modules and a microwave sensor optional add-ons. A simple, elegant and practical lighting solution.



General Information

Ambient Temperature Range (°C)	-20°C to 50°C
IK Rating	IK10
IP Rating	IP65
Nominal Lifetime (h)	50,000 h
Protection Rating	Class II
Installation Area	Internal and External

Settable (Default in Bold)		Variable		
Rated Power (W)	CCT (K)	Maximum Current Draw (mA)	Total Luminous Flux (lm)	Power Factor
9	3000	46	830	0.85
9	4000	46	900	0.85
9	5000	46	840	0.85
12	3000	57	1080	0.92
12	4000	57	1210	0.92
12	5000	57	1110	0.92
15	3000	69	1290	0.94
15	4000	69	1510	0.94
15	5000	69	1360	0.94



Tel: 01635 523 713

Email: sales@kosnic.com

Kosnic.com



Kosnic Lighting KosnicUK KosnicLightingUK KosnicUK