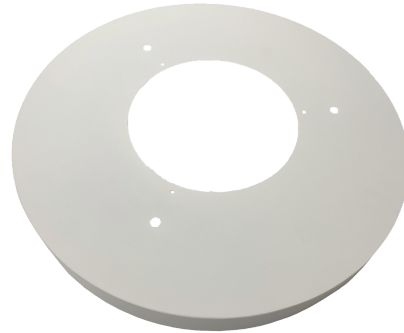


Codale 2

07235 COD-SMT

Codale 2 Surface Mount

- White surface mount frame
- Compatible with Codale
- Quick and easy to install



Technical Summary	
Product Code	COD-SMT

Overview

This white surface-mount frame is suitable for the Codale LED Circular Surface Luminaire.



General Information

Protection Rating	Class I
Installation Area	Internal

Compliance

Others	UKCA, CE, RoHS, WEEE
--------	----------------------

Tel: 01635 523 713

Email: sales@kosnic.com

Kosnic.com



Kosnic Lighting KosnicUK KosnicLightingUK

Codale 2

07235 COD-SMT

Optional Gear

Product Code	Description	Type
BEM203/ST	3W self-test UEM for linear LED luminaire	Self-test Emergency Module
BEM203	3W standard UEM for linear LED luminaire	Emergency Module
CYC030TDC30-90	30W DALI2 1-10V primary push dim driver (KL30C-PDiIV)	Dimmable Driver

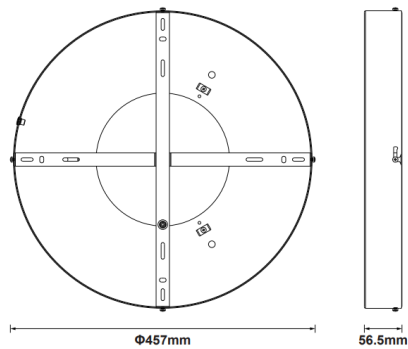
Overview

This white surface-mount frame is suitable for the Codale LED Circular Surface Luminaire.



General Information

Protection	Class I
Rating	
Installation Area	Internal



Tel: 01635 523 713

Email: sales@kosnic.com

Kosnic.com

