

Ashdown

07110 ASH/GU10-GRY

Ashdown, max 35W spike spot light for LED GU10 lamp, grey

- Die-cast aluminium body with polycarbonate diffuser
- Popular GU10 lamp holder
- Option of surface mount kit
- Comes with 0.3m flex



Overview

The Ashdown LED spike lights for GU10s are made from die-cast aluminium with a glass len. Supplied with a metal spike for ground installation. Optional surface mounting kit available. IP65 rated for use in vertical installations, suited for commercial and domestic outdoor illumination of gardens, buildings and other outdoor areas.



IP65



General Information

Ambient Temperature Range (°C)	-20°C to 50°C
IP Rating	IP65
Protection Rating	Class I
Installation Area	External

Technical Summary

Product Code	ASH/GU10-GRY
Input Voltage Supply	220-240Vac 50/60Hz
Weight	0.70Kg
Dimensions (L x W x D) (mm)	340x190x149

Compliance

Others	UKCA, CE, RoHS, WEEE
--------	----------------------

Tel: 01635 523 713

Email: sales@kosnic.com

Kosnic.com



Ashdown

07110 ASH/GU10-GRY

Accessories

Product Code	Description	Type
ASHSUR-BLK	Ashdown, surface mounting base, black	Mount Frame
ASHSUR-GRY	Ashdown, surface mounting base, grey	Mount Frame

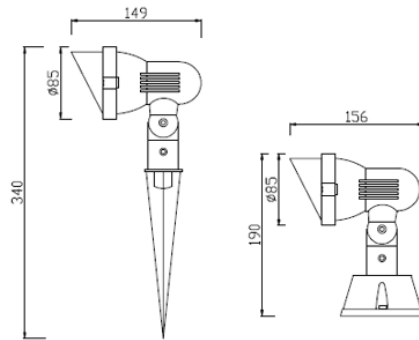
Overview

The Ashdown LED spike lights for GU10s are made from die-cast aluminium with a glass len. Supplied with a metal spike for ground installation. Optional surface mounting kit available. IP65 rated for use in vertical installations, suited for commercial and domestic outdoor illumination of gardens, buildings and other outdoor areas.



General Information

Ambient Temperature Range (°C)	-20°C to 50°C
IP Rating	IP65
Protection Rating	Class I
Installation Area	External



Tel: 01635 523 713

Email: sales@kosnic.com

Kosnic.com

