

Levens

07108 LEV03-B50

Levens, LED Inground uplight, 3W, 25°, 5000K, Steel/Black base

- Stainless steel front bezel
- Static load >2000kg, suitable for vehicular and pedestrian traffic
- Powder coated die-cast aluminium body
- Integral driver, LED and optic lens
- Pre-wired with 0.5 metre of rubber insulated cable
- Plastic housing is provided for easy installation



Overview

The Levens LED recessed ground lights are high lumen efficiency and a long life. Made from die-cast aluminium and supplied with a plastic housing for easy installation. The IP67 rated ground lights are rated to 20,000N, suited for commercial and domestic outdoor illumination of driveways, car parks and other spaces with vehicular



IP67



General Information

Ambient Temperature Range (°C)	-20°C to 50°C
IP Rating	IP67
Protection Rating	Class I
Installation Area	External

Technical Summary

Product Code	LEV03-B50
Input Voltage Supply	220-240Vac 50/60Hz
Inrush Current (peak/duration) (A)	11 A / 150 µs
Default Power	3 W
Power Factor	0.45
Default CCT	5,000 K
SDCM of CCT	<6
CRI	80
Flicker	<6%
Lumens Output Maximum	140 lm
Maximum Efficiency	47 lm/W
Nominal Lifetime (h)	50,000 h
Weight	0.67Kg
Dimensions (L x W x D) (mm)	98xØ73 (top) Ø67 (base)
Beam Angle - Lumi (°)	90

Compliance

Others UKCA, CE, RoHS, WEEE

Tel: 01635 523 713

Email: sales@kosnic.com

Kosnic.com



Kosnic Lighting KosnicUK

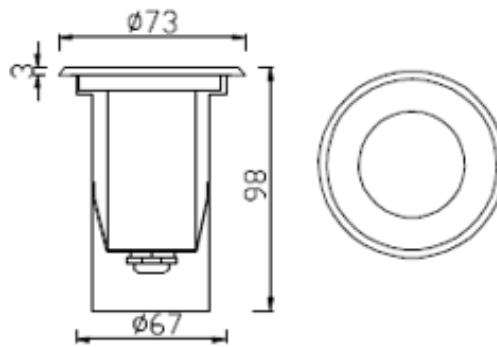
KosnicLightingUK

07108 LEV03-B50

Overview

The Levens LED recessed ground lights are high lumen efficiency and a long life. Made from die-cast aluminium and supplied with a plastic housing for easy installation.

The IP67 rated ground lights are rated to 20,000N, suited for commercial and domestic outdoor illumination of driveways, car parks and other spaces with vehicular



IP67



General Information

Ambient Temperature Range (°C)	-20°C to 50°C
IP Rating	IP67
Nominal Lifetime (h)	50,000 h
Protection Rating	Class I
Installation Area	External

Tel: 01635 523 713

Email: sales@kosnic.com

Kosnic.com

