

Pico

06993 PIC-38

Pico-DD, LED bulkhead, 380mm, for all 4-pin LED DD lamps

- Optional plug-in microwave corridor sensor compatible with Uni-Remote
- Optional plug-in DALI conversion module
- Optional plug-in emergency module, available in manual, self-test and DALI
- Twist & lock fast installation
- IP44
- Choice of optional interchangeable rings in various finishes



Overview

The Pico bulkhead for DD lamps is IP44 rated when ceiling mounted and with high LOR. The medium and large sized can be easily converted for emergency use by installing the optional standard or self-test emergency modules. The small bulkhead is only suitable for Kosnic 9W LED DD lamps and cannot be converted for emergency use.



IP44



General Information

Ambient Temperature Range (°C)	-20°C to 40°C
IP Rating	IP44
Protection Rating	Class I
Installation Area	Internal

Technical Summary

Product Code	PIC-38
Input Voltage Supply	220-240Vac 50/60Hz
Weight	0.64Kg
Dimensions (L x W x D) (mm)	110x380

Compliance

LVD	EN 60598-1:2024, EN 60598-2-1:2021
Others	UKCA, CE, RoHS, WEEE

Tel: 01635 523 713

Email: sales@kosnic.com

Kosnic.com



Kosnic Lighting KosnicUK KosnicLightingUK

06993 PIC-38

Optional Gear

Product Code	Description	Type
EMDD02/ST	2W self-test emergency module for LED DD and bulkhead	Self-test Emergency Module
EMDD02	2W standard emergency module for LED DD and bulkhead	Emergency Module
DD18CRD/4P-SCT	LED DD Integrated Motion Sensor, 18W, 4pin CCT switchable	
DD18/4P-SCT	LED DD Standard, 18W, 4pin, CCT switchable	

Accessories

Product Code	Description	Type
PICT-WHT	Pico & Pico-i, decorative trims, white	Trim
PICT-BAS	Pico & Pico-i, decorative trims, brass	Trim
PICT-SCH	Pico & Pico-i, decorative trims, satin chrome	Trim
PICT-CHM	Pico & Pico-i, decorative trims, chrome	Trim

Overview

The Pico bulkhead for DD lamps is IP44 rated when ceiling mounted and with high LOR. The medium and large sized can be easily converted for emergency use by installing the optional standard or self-test emergency modules. The small bulkhead is only suitable for Kosnic 9W LED DD lamps and cannot be converted for emergency use.

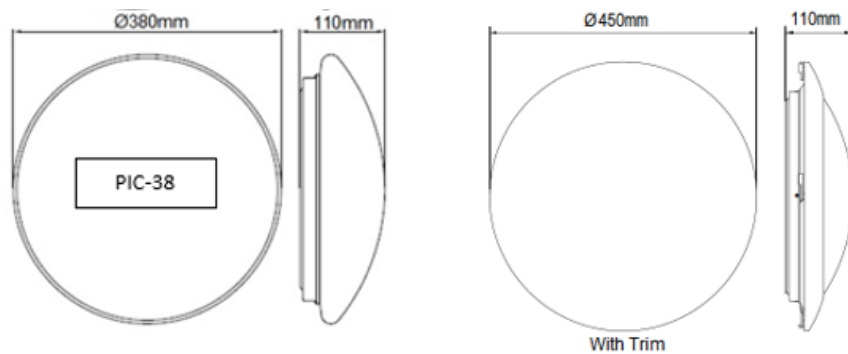


IP44



General Information

Ambient Temperature Range (°C)	-20°C to 40°C
IP Rating	IP44
Protection Rating	Class I
Installation Area	Internal



Tel: 01635 523 713

Email: sales@kosnic.com

Kosnic.com

