

Mauna 3 Pro

06730 MAU307PR

Mauna 3 Pro fire-rated downlight 5W/7W CCT switch

- High efficiency up to 134lm/W
- Optional add on emergency kits, available in standard and self-test
- Switchable wattage and CCT (2700K/3000K/4000K/6000K)
- Optional PIR sensors compatible with Uni-Remote
- Independent driver and junction box for fast and easy connection
- Dimmable
- Can be installed under insulation
- Coloured LENNEL push-wire terminals
- Compact size with a void of only 39mm



Overview

The Mauna Pro adds wattage switching with options for 5W or 7W settings. This is in addition to the features of the Mauna II, taking the list of features up to an impressive: Magnetic bezels, fire rating, low void clearance, CCT switching, mains dimming, IP65 rating, and ability to be installed under installation.



General Information

Ambient Temperature Range (°C)	-30°C to 50°C
IK Rating	IK07
IP Rating	IP65
Protection Rating	Class II
Installation Area	Internal
L80B10 Lifetime (h) @Ta 25 °C	80,000 h

Compliance

LVD	EN 60598-1:2024, EN 60598-2-2:2012, EN 62471:2008, EN 62493:2015+A1:2022
EMC	EN 55015:2019+A11:2020, EN 61000-3-2:2019+A1:2021, EN 61000-3-3:2013+A1:2019+A2:2021, EN 61547:2023
Others	UKCA, CE, RoHS, WEEE

Technical Summary

Product Code	MAU307PR
Input Voltage Supply	220-240Vac 50/60Hz
Inrush Current (peak/duration) (A)	0.58A /300µs
Fire Rating	30m I Joist, 60m I Joist, 90m Solid Joist
Settable Wattages	5W, 7W
Power Factor	0.95
Settable Colour Temperatures	2700K, 3000K, 4000K, 6000K
SDCM of CCT	<3
CRI	>80
Dimmable	Y
Flicker	<1%
Lumens Output Maximum	870 lm
L70B50 Lifetime (h) @Ta 25 °C	127,000 h
L80B10 Lifetime (h) @Ta 25 °C	80,000 h
L90B10 Lifetime (h) @Ta 25 °C	38,000 h
Nominal Lifetime (h)	50,000 h
Glow wire temperature(°C)	650
Blue Light Hazard	RG1
Weight	0.248Kg
Dimensions (L x W x D) (mm)	43xØ88
Cut-Out (mm)	68mm
Ceiling Void (mm)	39 mm
Beam Angle - Lumi (°)	40
LS Energy Efficiency Class	E

Tel: 01635 523 713

Email: sales@kosnic.com

Kosnic.com



Kosnic Lighting KosnicUK KosnicLightingUK

Mauna 3 Pro

06730 MAU307PR

Optional Gear

Product Code	Description	Type
DRC26/CSB	Dimmable Driver: Casambi dimmable driver 26W Bluetooth & PUSH button	Dimmable Driver
DRC20/DA	Dimmable Driver: 20W DALI2 primary push dim driver	Dimmable Driver
EMPAD01	Neka Emergency Downlight kit 2.5W Manual test	Emergency Module
EMPAD01/SST	Neka Duo Emergency Downlight kit 2.5W Manual & Self-test	Emergency Kit
MAUPIR	Mauna fire rated recessed PIR ON/OFF sensor	PIR Sensor
MAUPIR/D	Mauna fire rated PIR sensor phase-cut dim output	PIR Sensor
CYDIMRFT1	RF controlled triac dimmer	Dimmable Driver

Accessories

Product Code	Description	Type
RMT-UNI	Universal Remote Control for Kosnic motion sensors	Remote Control

Rated Power (W)	CCT (K)	Lumen (lm)
5	2700 (Warm White)	600
5	3000 (Warm White)	620
5	4000 (Cool White)	670
5	6000 (Day Light)	670
7	2700 (Warm White)	770
7	3000 (Warm White)	800
7	4000 (Cool White)	870
7	6000 (Day Light)	870

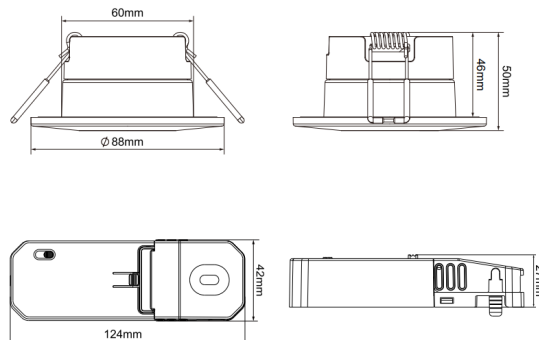
Overview

The Mauna Pro adds wattage switching with options for 5W or 7W settings. This is in addition to the features of the Mauna II, taking the list of features up to an impressive: Magnetic bezels, fire rating, low void clearance, CCT switching, mains dimming, IP65 rating, and ability to be installed under installation.



General Information

Ambient Temperature Range (°C)	-30°C to 50°C
IK Rating	IK07
IP Rating	IP65
Nominal Lifetime (h)	50,000 h
Protection Rating	Class II
Installation Area	Internal



Tel: 01635 523 713

Email: sales@kosnic.com

Kosnic.com

